



TITLE:

# IN THE RED AND BROWN WATER

SCENIC UNIT:  
WALL B

PLATE TITLE:  
OVERVIEW

DETAILER:  
SONJA MEYERS  
SGMEYERS@ANDREW.CMU.EDU  
(650) 334-5813

DATE:  
9/9/2025

SCALE:  
AS NOTED

DESIGNER:  
B HANSER

PROJECT MANAGER:  
NICK WYLIE

JOB LEAD:  
JOSH HILLERS

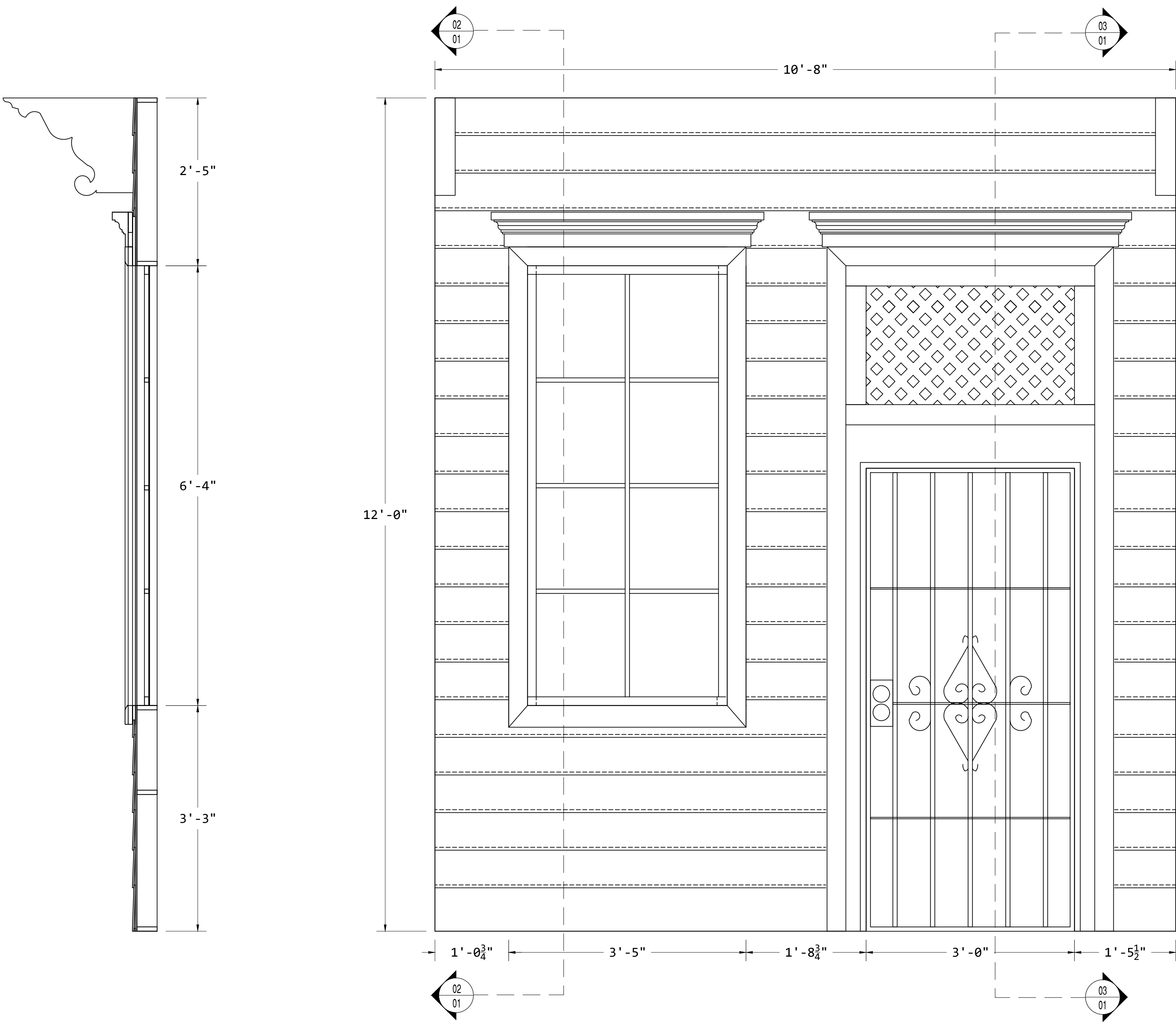
NOTES:

CHECKED BY: / /

APPROVAL:

DATE: / /

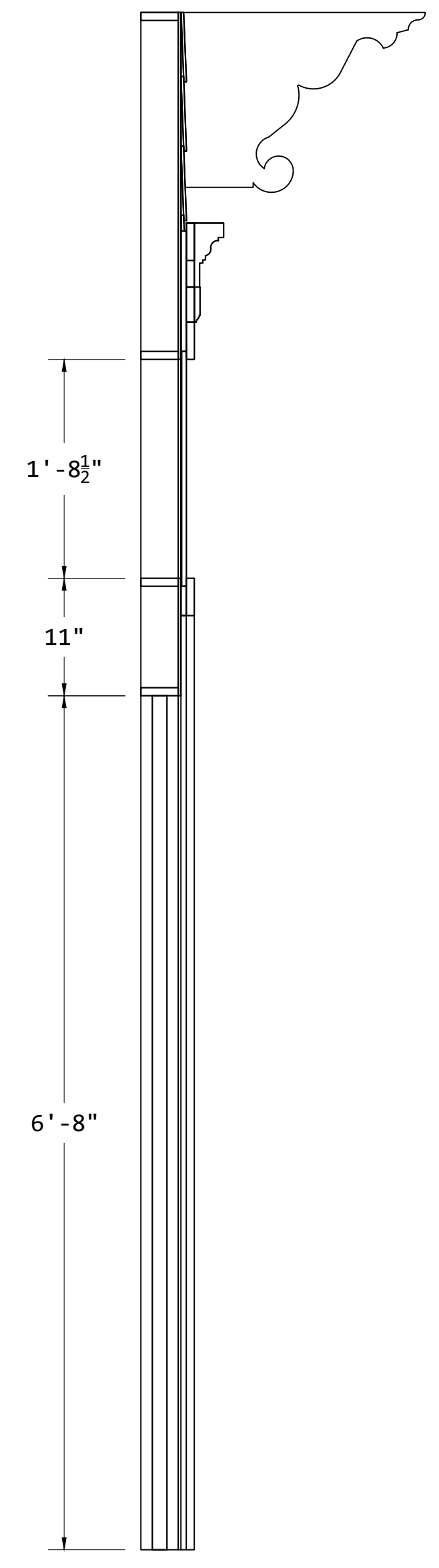
PAGE: 1 OF 2



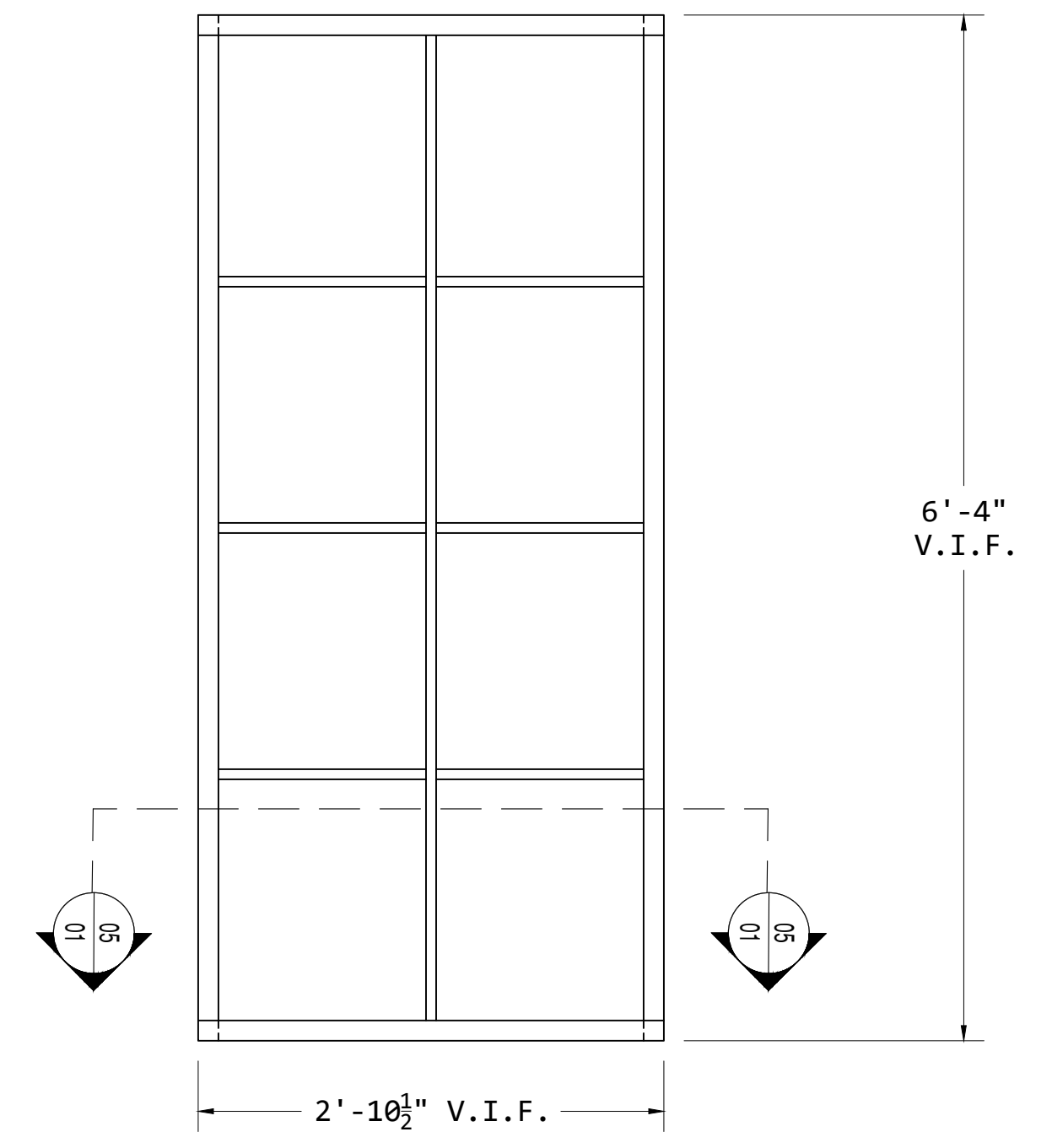
02 WINDOW SECTION  
01 - SEE DRAWING XX-XX FOR WINDOW DETAIL  
SECTION  
1"=1'-0"

01 WALL B  
01 - FRONT WALL OF HOUSE  
- SEE DRAWING 03-02 FOR CONNECTION TO WALLS A & C  
FRONT ELEVATION  
1"=1'-0"

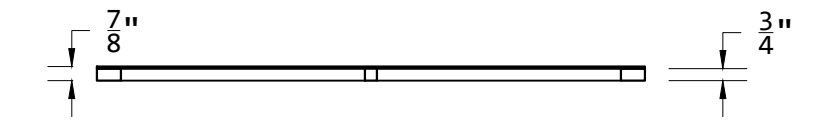
03 DOOR SECTION  
01 - SEE DRAWING 03-02 FOR DOOR DETAIL  
SECTION  
1"=1'-0"



04 WALL B  
01 - SEE DRAWING 02-02 FOR SECTION VIEW  
FRONT ELEVATION  
1/2"=1'-0"



05 WINDOW  
01 - CONSTRUCT OUTER FRAME WITH HALF-LAP JOINTS  
- GLUE MULLIONS INSIDE OUTER FRAME  
FRONT, SECTION  
1"=1'-0"





TITLE:

# IN THE RED AND BROWN WATER

SCENIC UNIT:  
WALL B

PLATE TITLE:  
FRAMING

DETAILER:  
**SONJA MEYERS**  
SGMEYERS@ANDREW.CMU.EDU  
(650) 334-5813

DATE:  
9/9/2025

SCALE:  
AS NOTED

DESIGNER:  
B HANSER

PROJECT MANAGER:  
NICK WYLIE

JOB LEAD:  
JOSH HILLERS

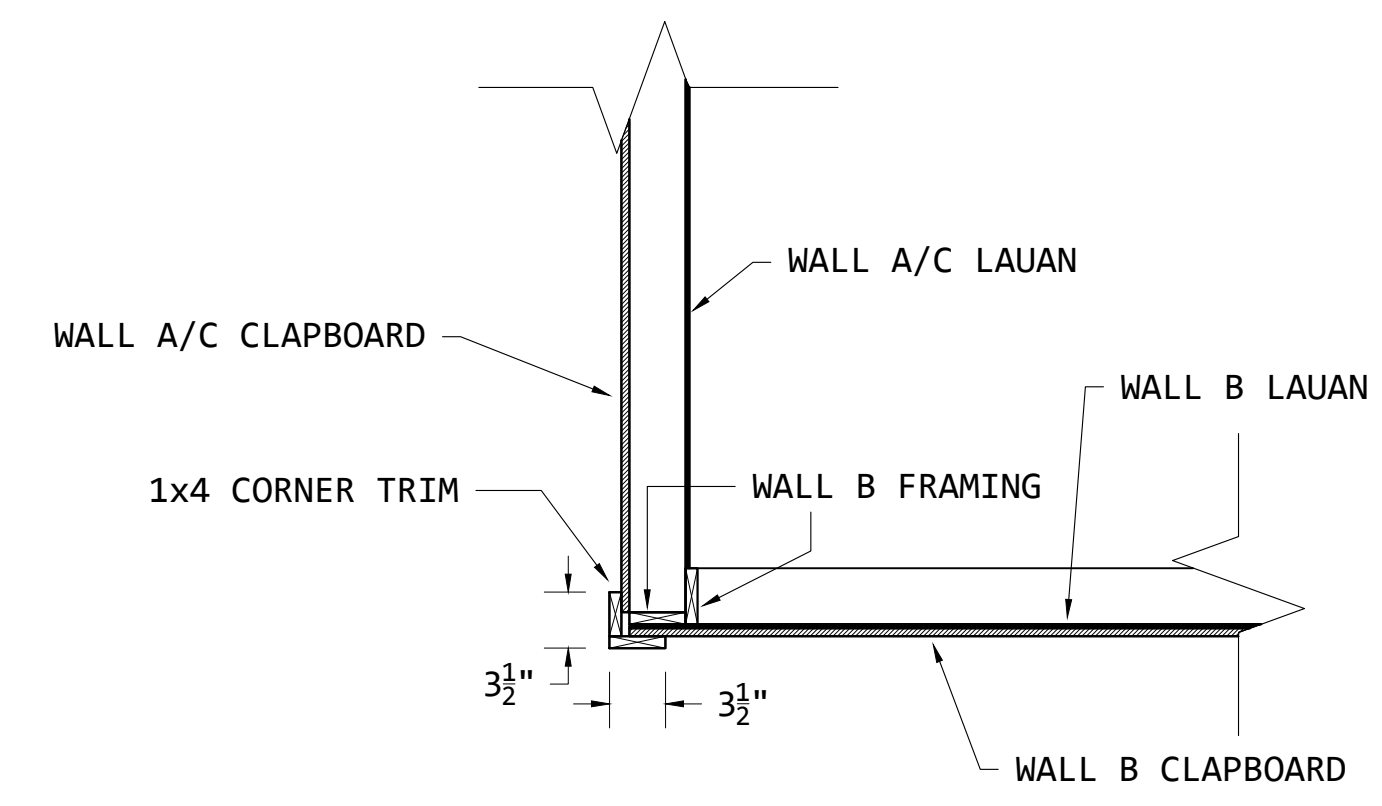
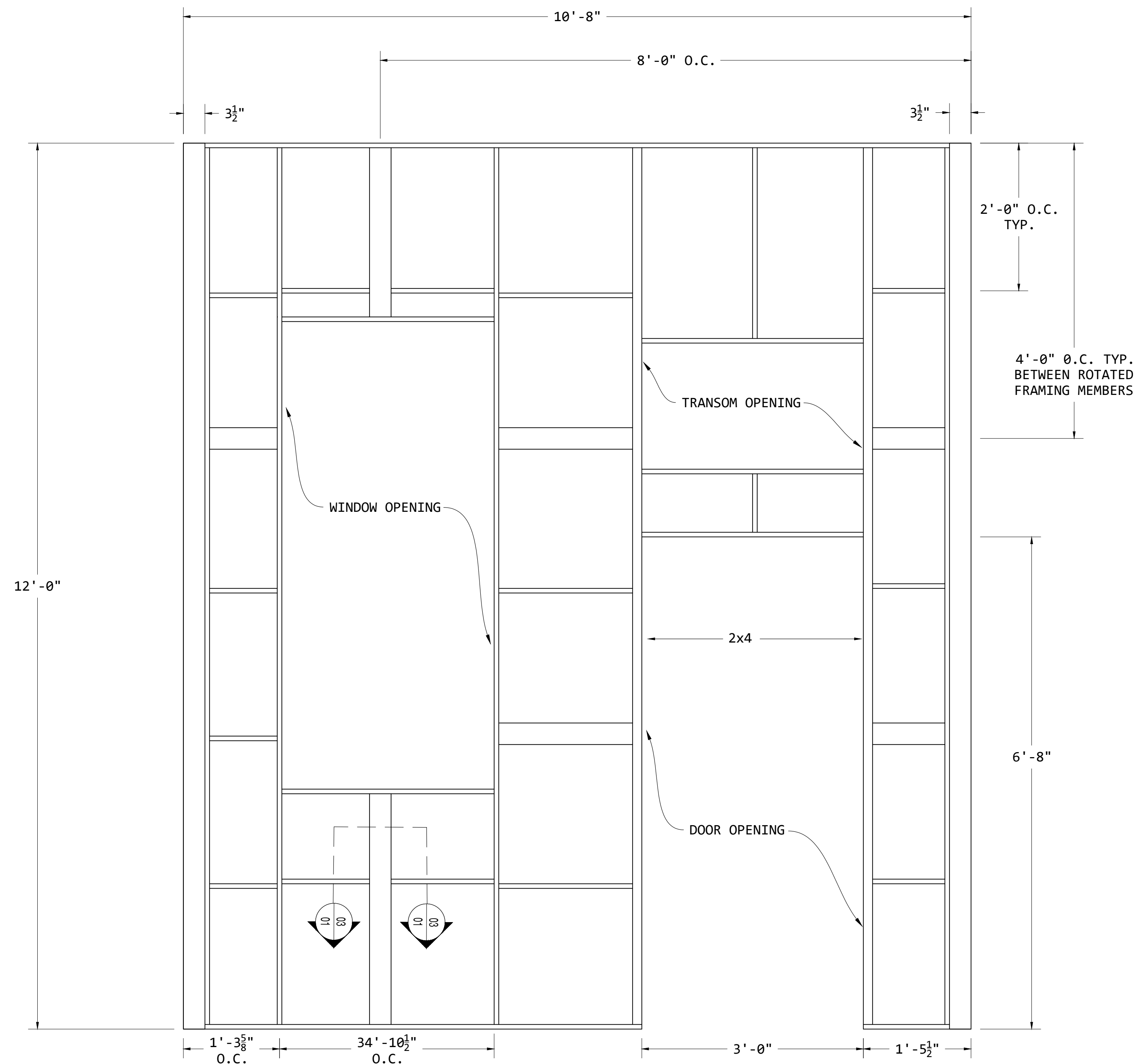
NOTES:

CHECKED BY:

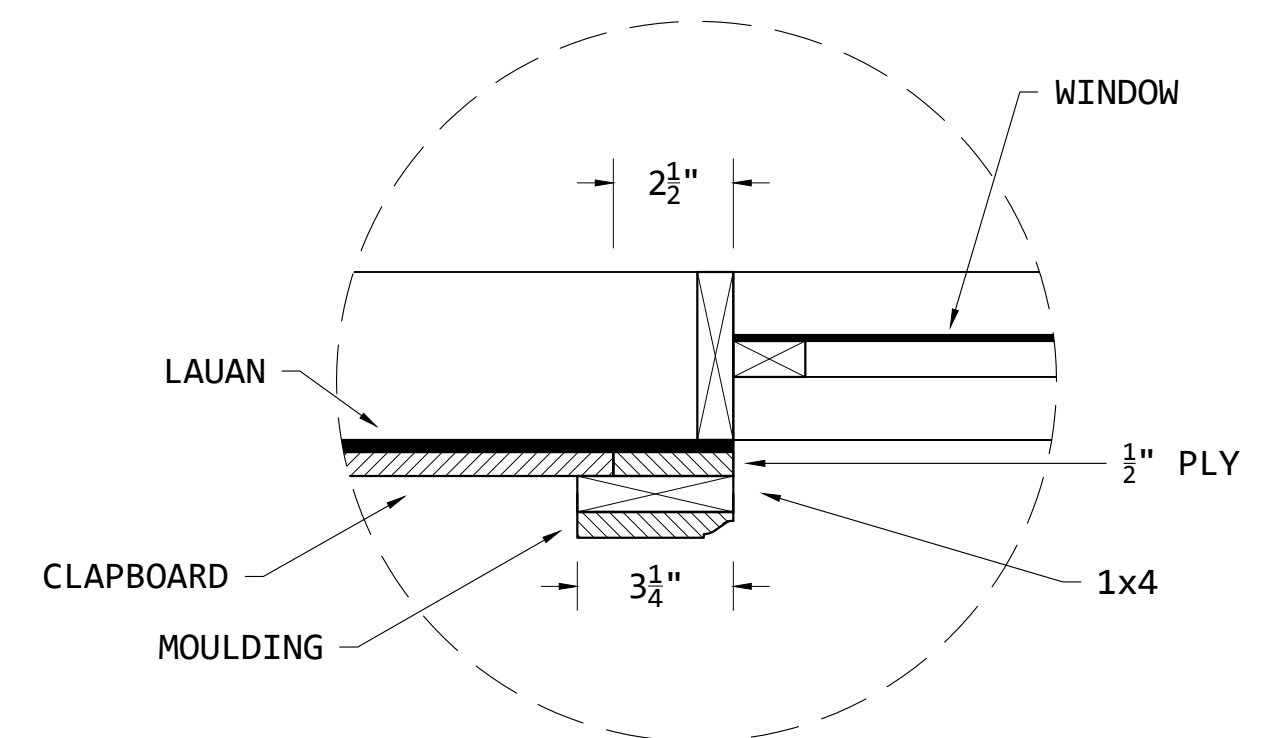
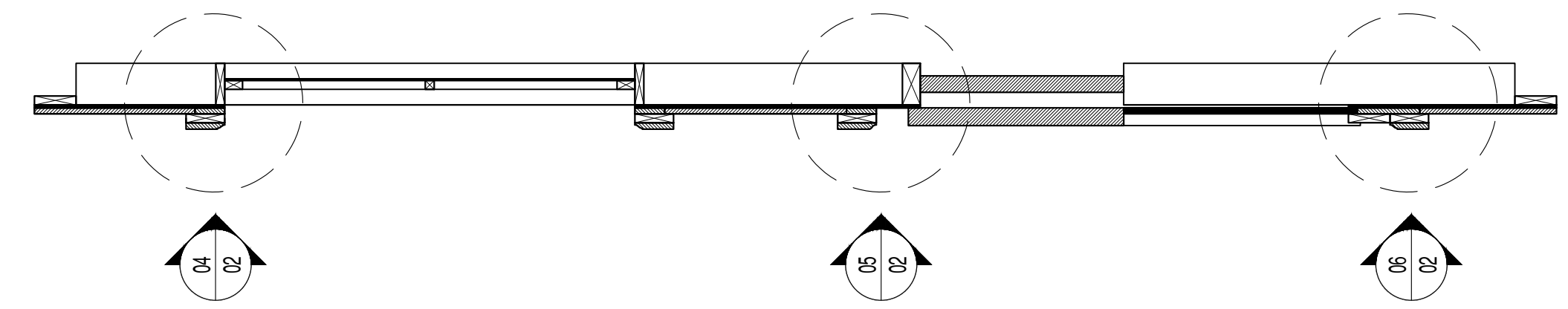
APPROVAL:

DATE: //

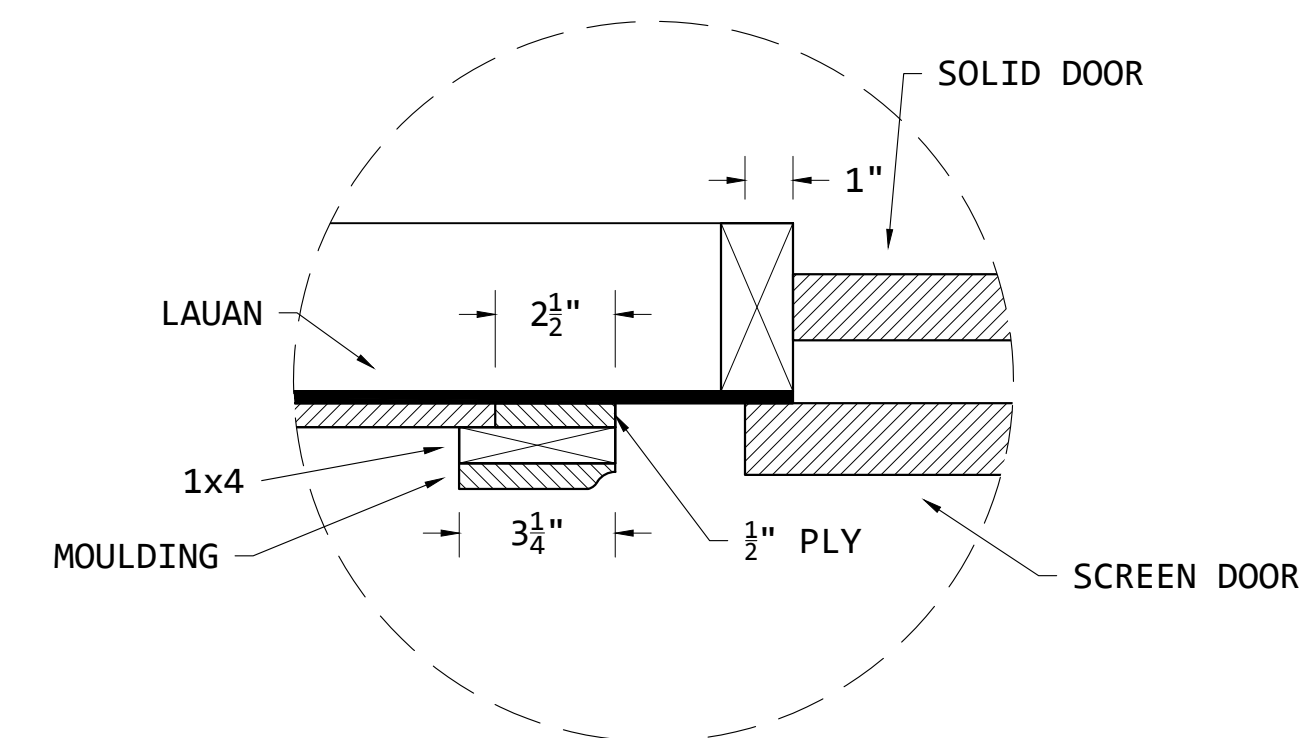
PAGE: 2 OF 2



03 CONNECTION TO WALLS A & C TOP SECTION  
02 - ADD CORNER TRIM DURING INSTALL 1"=1'-0"

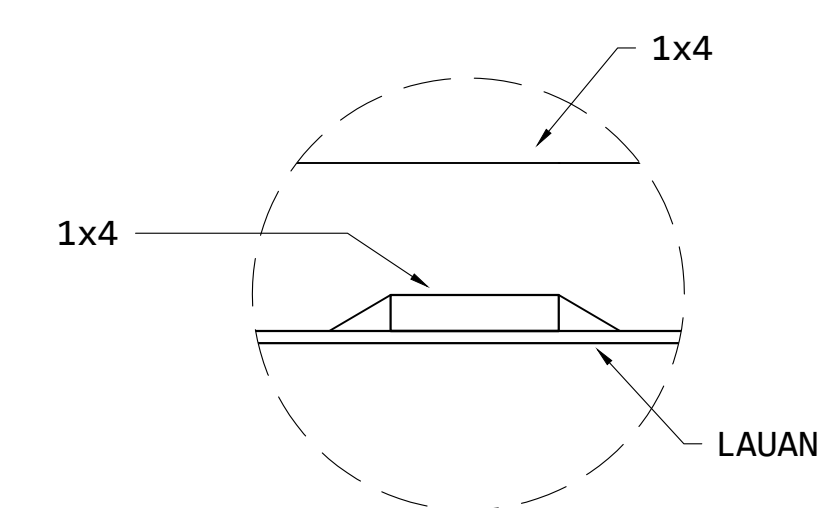


04 WINDOW CASING TOP SECTION  
02 - CLAPBOARD SLATS EXTEND UNDERNEATH MOULDING TO CREATE A CLEAN EDGE 3"=1'-0"

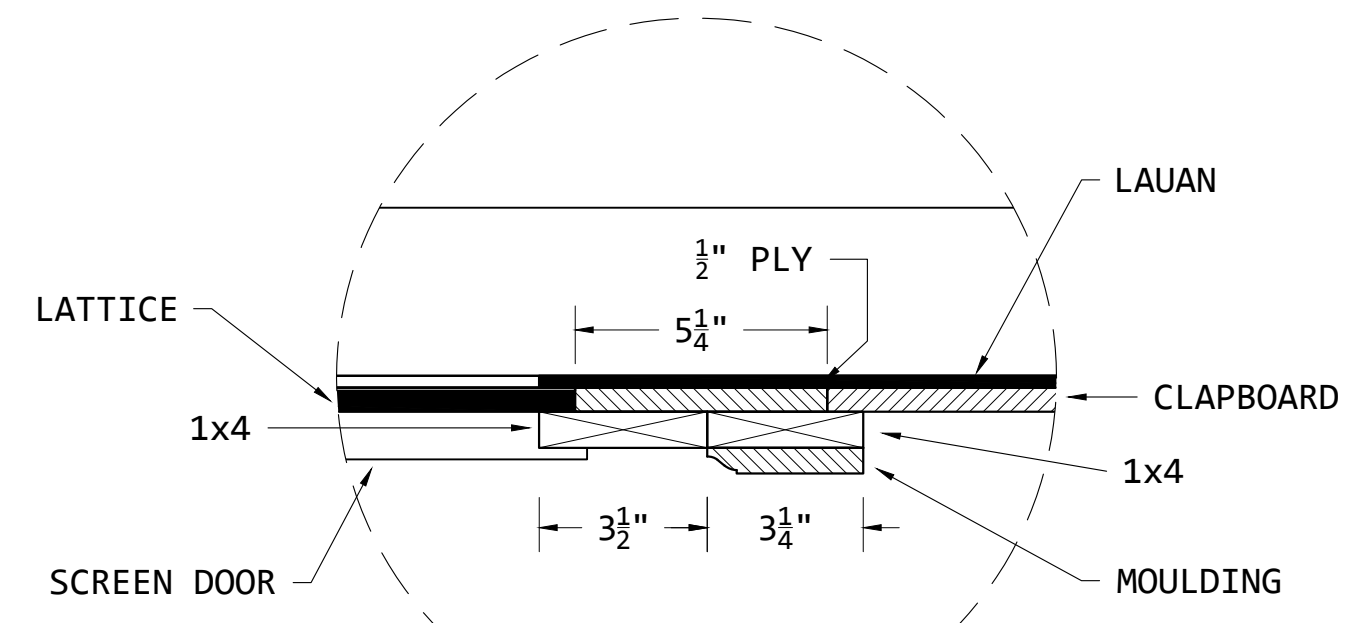


05 DOOR CASING TOP SECTION  
02 - SCREEN DOOR IS MOUNTED ON FRONT, OVERHANGING DOOR OPENING BY 1" AND SCREWED THROUGH INTO 2x4 3"=1'-0"

01 FRAMING FRONT (LID REMOVED) 1"=1'-0"  
02 - 1x4 HOLLYWOOD FLAT FRAMING  
- FLIP TOGGLES TO CATCH PLYWOOD SEAMS WHERE APPROPRIATE, NOTCH PERPENDICULAR FRAMING MEMBERS (SEE DRAWING 07-02)  
- NOTE STILES THAT ARE 2x4 TO ACCOMMODATE FOR MOUNTING SCREEN DOOR (SEE DRAWING 05-02)



07 FRAMING SECTION (CLAPBOARD REMOVED) 1"=1'-0"  
01 - NOTCH 1x4 WHERE APPROPRIATE TO ACCOMMODATE ROTATED FRAMING MEMBERS



06 LATTICE CASING TOP SECTION  
02 - CLAPBOARD SLATS & LATTICE EXTEND UNDERNEATH MOULDING 1x4 TO CREATE A CLEAN EDGE 3"=1'-0"