



TITLE:

# RED & BROWN WATER

SCENIC UNIT:  
TELEPHONE POLES

PLATE TITLE:  
CONSTRUCTION

DETAILER:  
SONJA MEYERS  
SGMEYERS@ANDREW.CMU.EDU  
650-334-5813

DATE:  
9/23/2025

SCALE:  
AS NOTED

DESIGNER:  
B HANSER

PROJECT MANAGER:  
NICK WYLIE

JOB LEAD:  
JOSH HILLERS

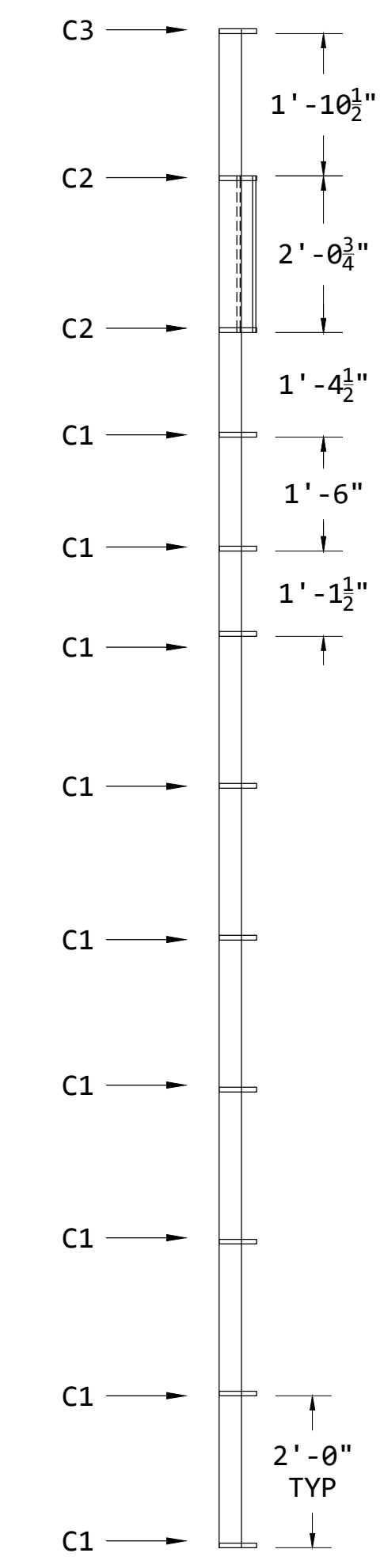
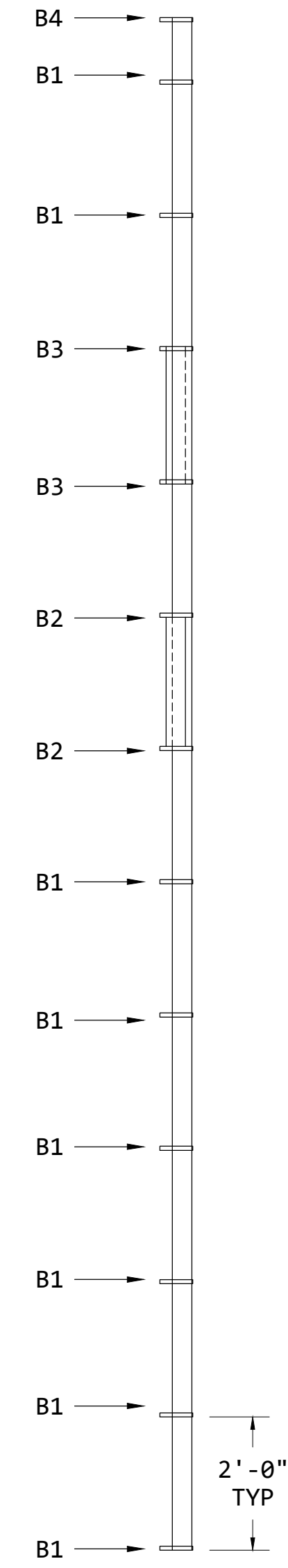
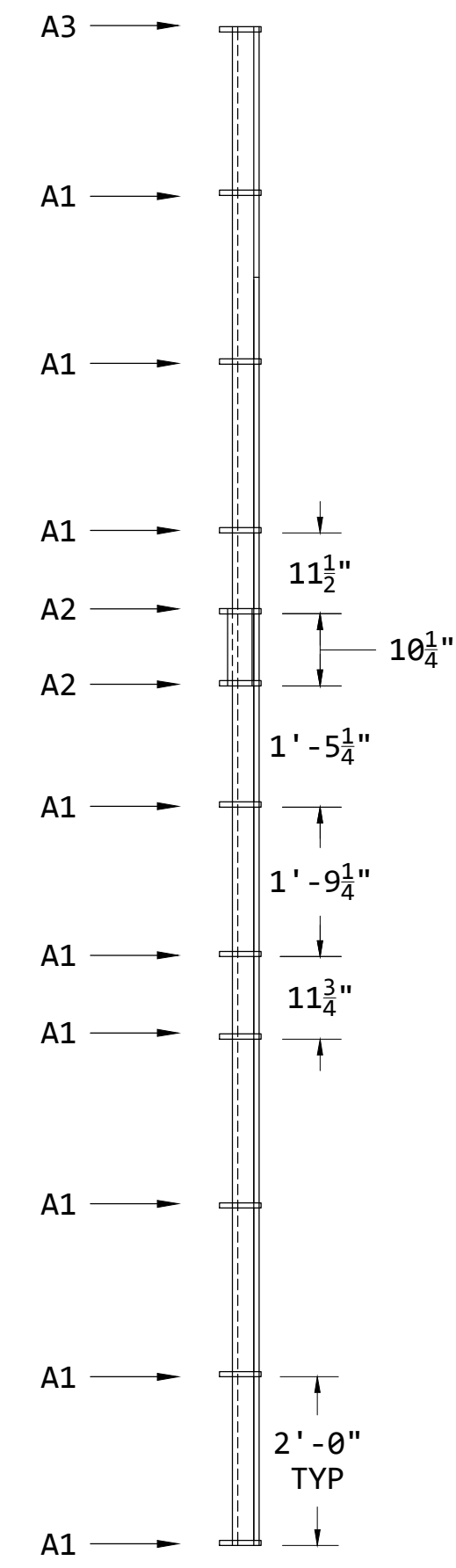
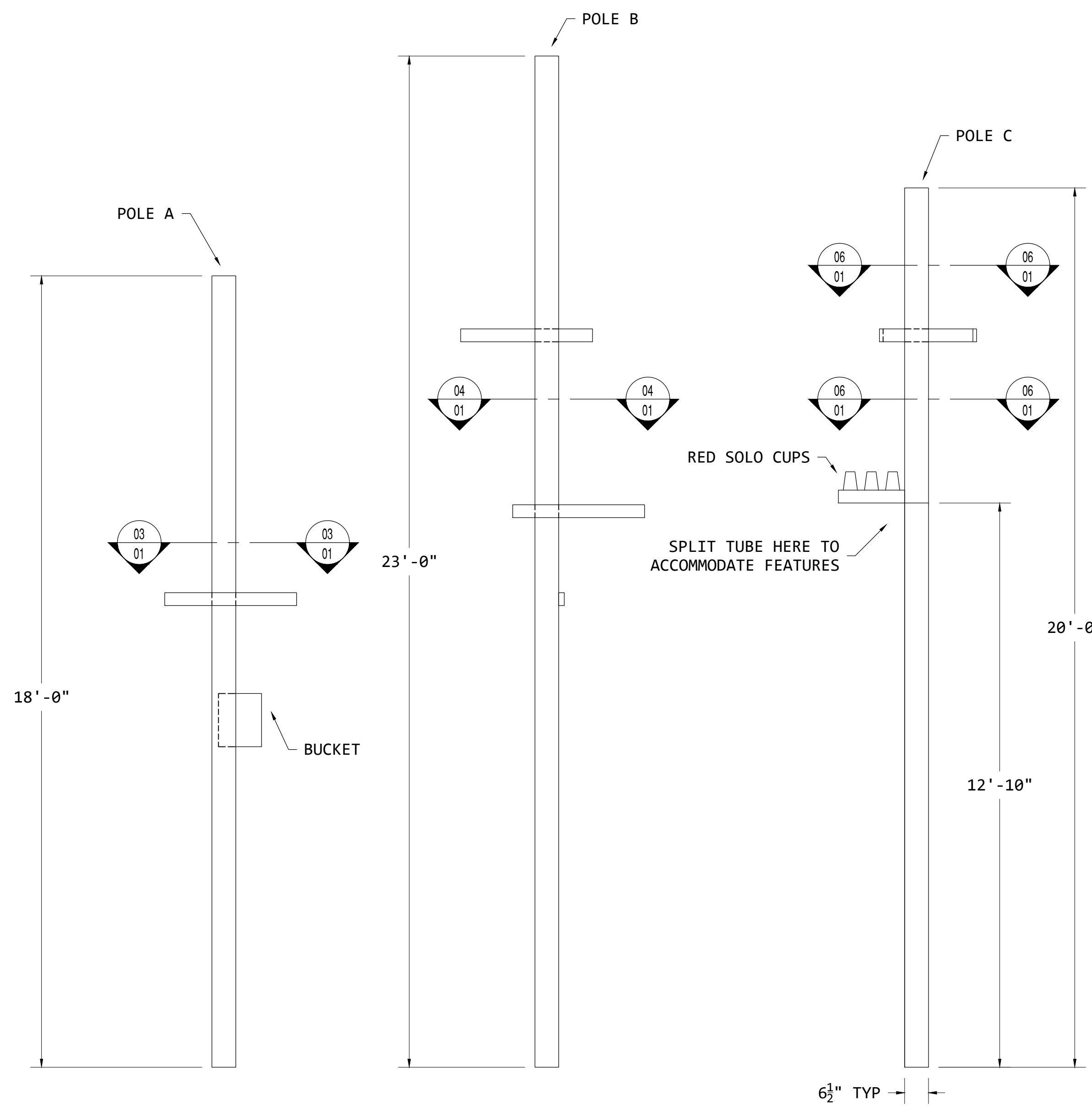
NOTES:

CHECKED BY: / /

APPROVAL:

DATE: / /

PAGE: 1 OF 1



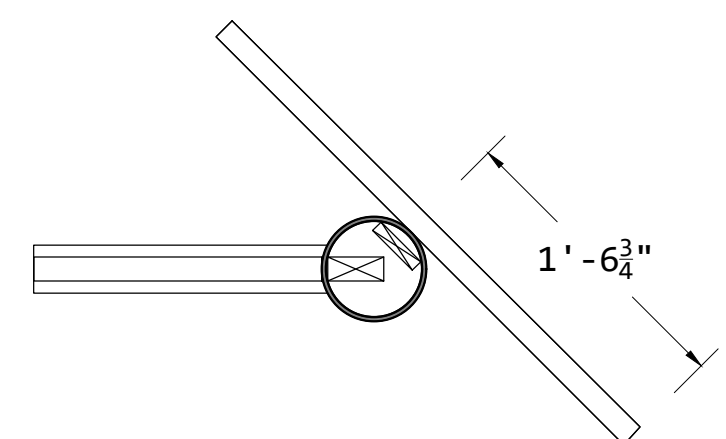
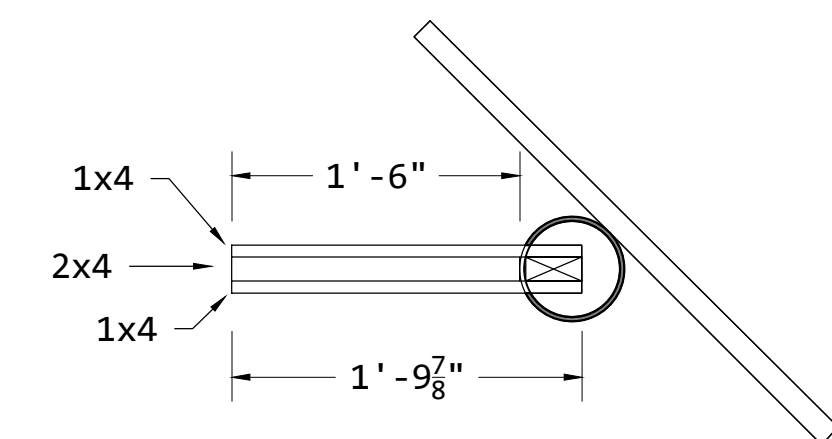
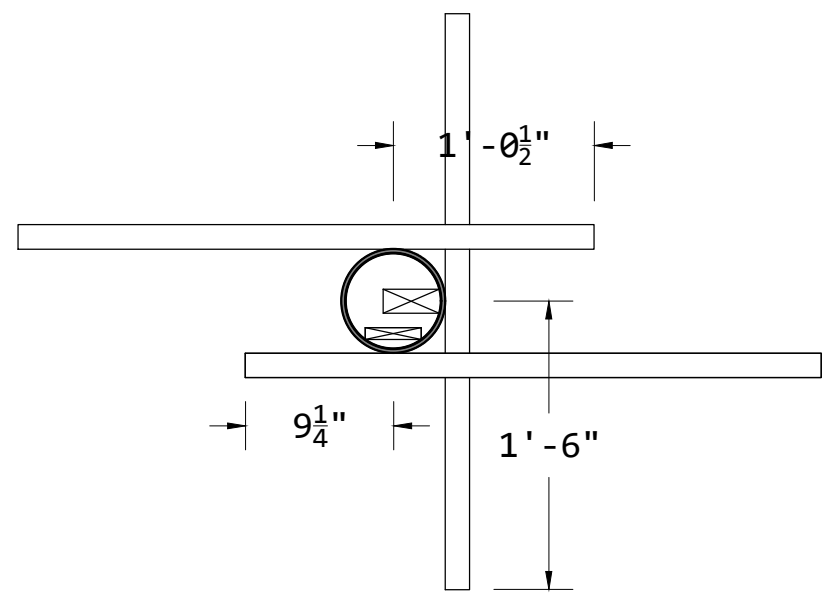
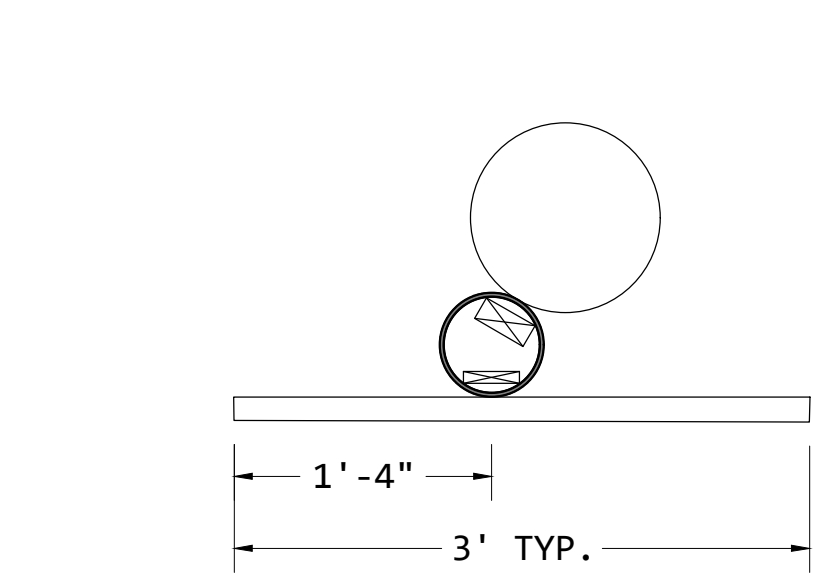
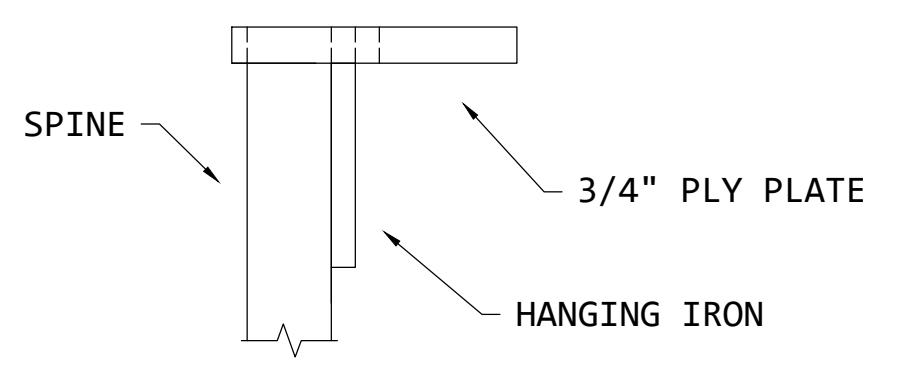
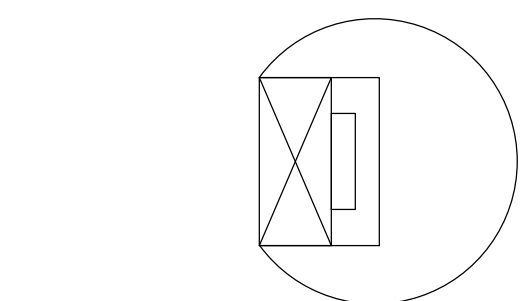
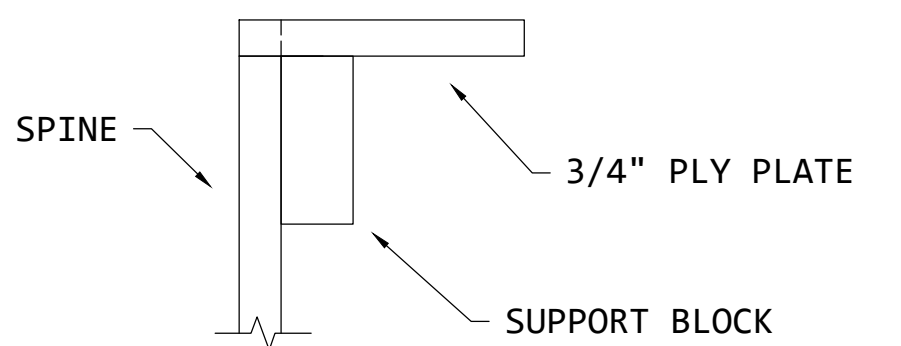
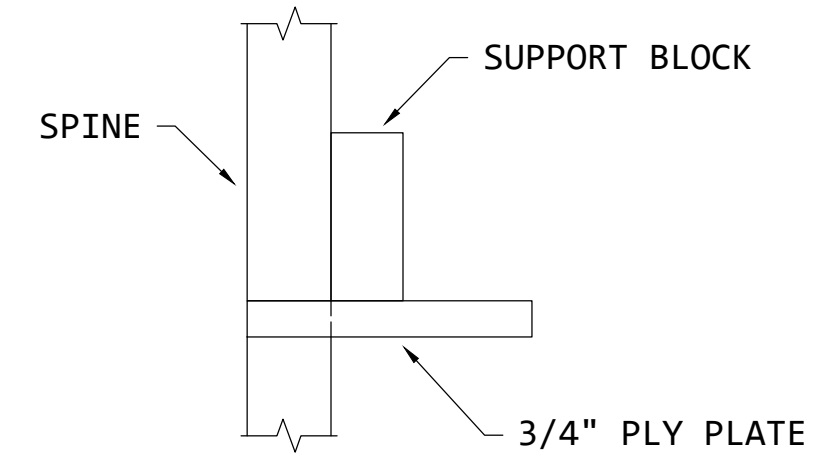
**01 TELEPHONE POLES** FRONT  
1/2"=1'-0"  
 01 - CARDBOARD TUBE AROUND WOODEN STRUCTURE  
 - LEAVE LENGTH OF TUBE AS LONG AS POSSIBLE, UNLESS OTHERWISE NOTED  
 - TUBES WILL BE MUSLIN COVERED FOR PAINTS  
 - WILL HAVE CATENARIES (3/4" ROPE W/ ADDED PIXEL TAPE) NAILED TO TOPS & HORIZONTALS AT INSTALL  
 - WILL BE DEAD HUNG FROM GRID & ATTACHED TO STAGE FLOOR

**02 INNER STRUCTURE & SPINES** FRONT  
1/2"=1'-0"  
 01 - PRIMARY SPINE IS 2x4. ADDITIONAL SPINES FOR FEATURES ARE 1x4  
 - BREAK 2x4 AND ADD SCAB BETWEEN PLATES, NOT NECESSARILY AT 16"  
 - PLATES ARE CNC 3/4" PLY. SEE DRAWING 01-02

**07 TYP. PLATE CONNECTION** FRONT  
3"=1'-0"  
 01 - ATTACH SCRAP 2x4 BLOCK TO SUPPORT PLATE-TO-SPINE CONNECTION

**08 TYP. END OF SPINE** FRONT  
3"=1'-0"  
 01 - END OF SPINES (BOTH MAIN AND ADD'L) ARE CAPTURED BY PLATES

**09 TYP. TOP OF POLE** TOP, FRONT  
3"=1'-0"  
 01 - ADD HANGING IRON TO 2x4 SPINE  
 - CATENARIES WILL BE NAILED TO PLATES AT INSTALL



**03 POLE A** SECTION  
1"=1'-0"  
 01 - SCREW HORIZONTAL AND BUCKET TO RESPECTIVE SPINES  
 - ATTACH BUCKET RIGHT SIDE UP  
 - ALL HORIZONTALS ARE 3' 2x4, UNLESS OTHERWISE NOTED

**04 POLE B** SECTION  
1"=1'-0"  
 01 - SCREW HORIZONTALS TO RESPECTIVE SPINES

**05 POLE C** SECTION  
1"=1'-0"  
 01 - 1x4s OF SOLO CUP FEATURE ARE SCREWED TO 2x4 SPINE. CUT "MOUSE HOLE" IN TUBE TO ACCOMMODATE  
 - 1x4s OF SOLO CUP FEATURE SANDWICH 2x4 SPINE

**05 POLE C** SECTION  
1"=1'-0"  
 01 - 1x4s OF SOLO CUP FEATURE ARE SCREWED TO 2x4 SPINE. CUT "MOUSE HOLE" IN TUBE TO ACCOMMODATE

**06 PLATES** TOP  
1"=1'-0"  
 01 - CNC 3/4" PLY  
 - B2 & B3 ARE SAME OUTLINE MIRRORRED  
 - B1 & C1 ARE SAME OUTLINE ROTATED  
 - B4 & C4 ARE SAME OUTLINE ROTATED

