



TITLE:

HURRICANE DIANE

SCENIC UNIT:
WALL E

PLATE TITLE:
OVERVIEW

DETAILER:
SONJA MEYERS
SGMEYERS@ANDREW.CMU.EDU
(650) 334-5813

DATE:
1/22/2026

SCALE:
AS NOTED

DESIGNER:
KATIE WELKER

PROJECT MANAGER:
ALEX REINARD

JOB LEAD:
SONJA MEYERS

NOTES:

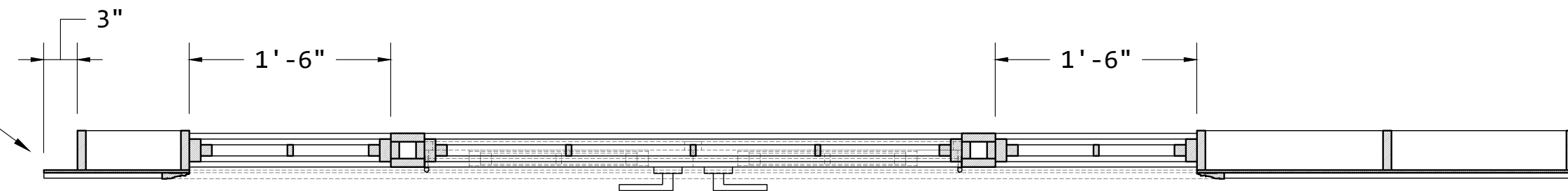
CHECKED BY:

APPROVAL:

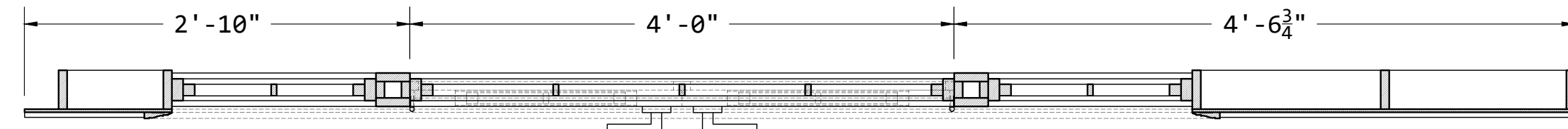
DATE: //

PAGE: 1 OF 4

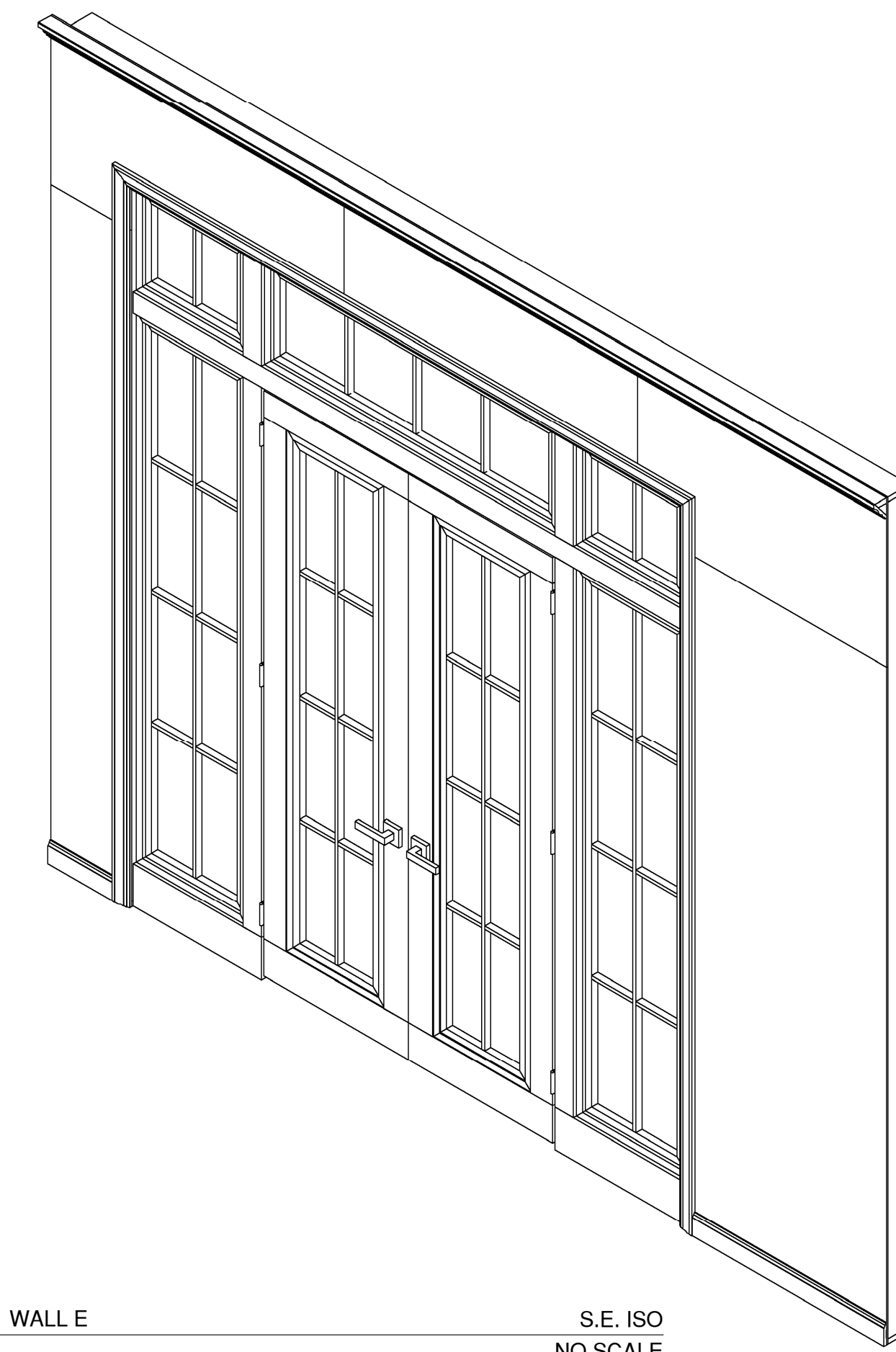
FRAMING PULLED BACK FROM EDGE
OF FACING 3" TO ACCOMMODATE
WALL D (SEE DRAWING 04-02)



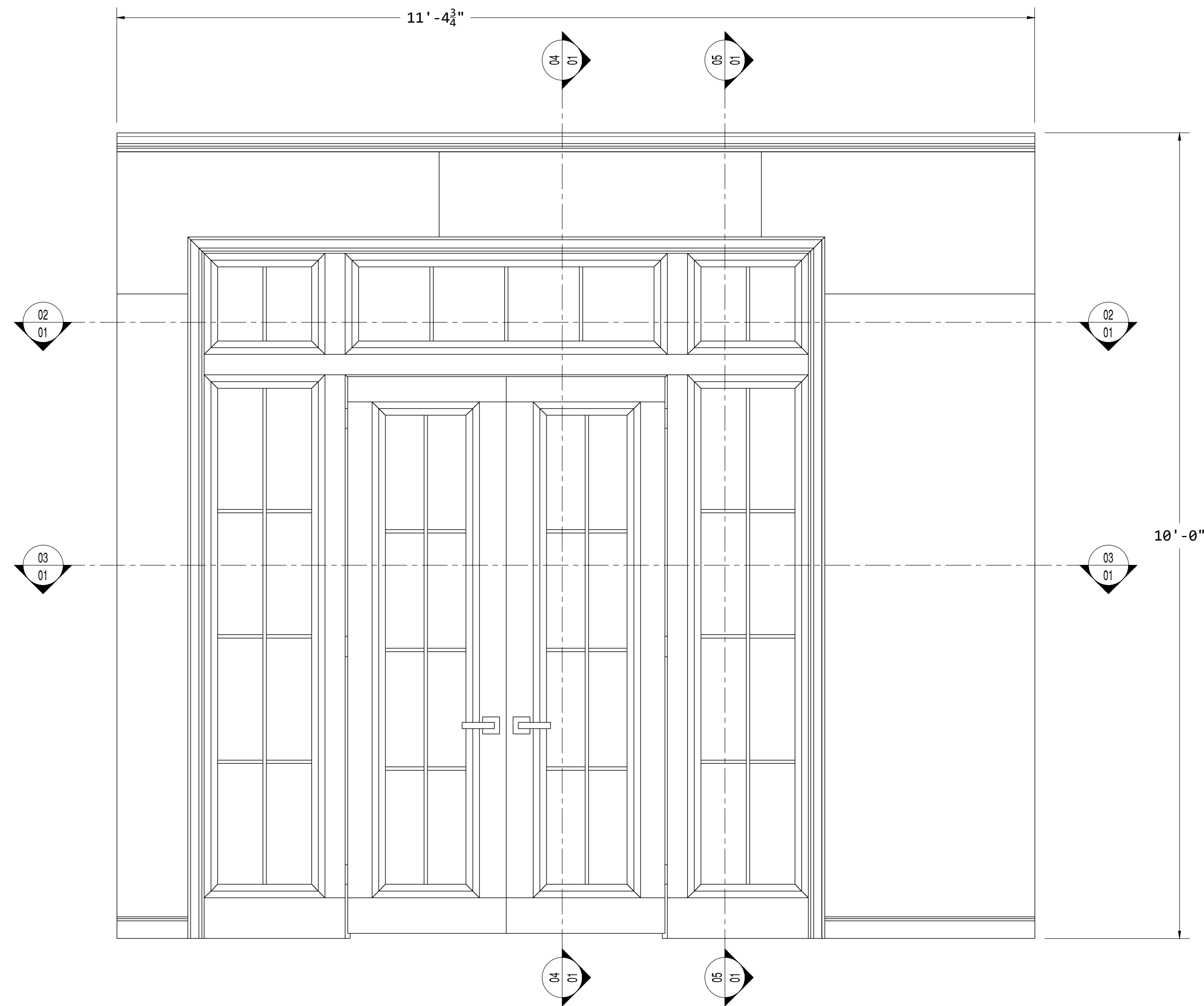
02 WINDOW TOP SECTION SECTION
01 1" = 1'-0"



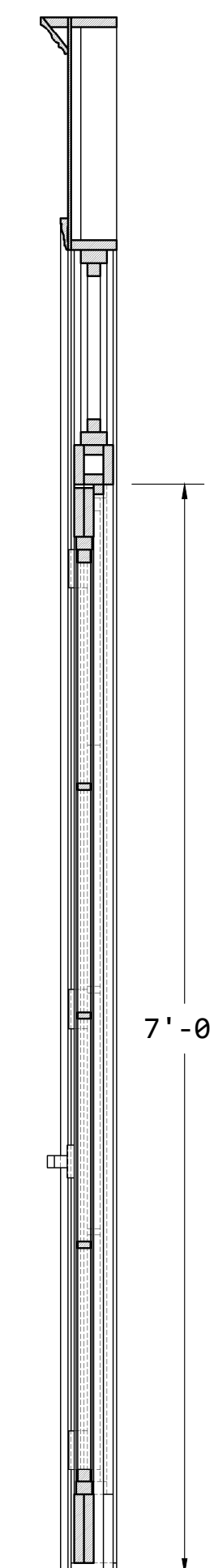
03 DOOR TOP SECTION SECTION
01 1" = 1'-0"



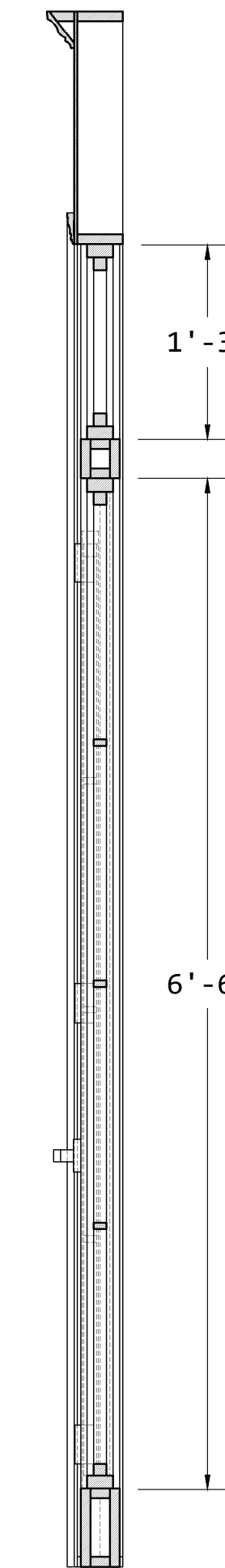
06 WALL E S.E. ISO
01 NO SCALE



01 WALL E FRONT SECTION
01 - CONNECTS TO WALLS D & F
01 - WINDOWS ARE LEFT OPEN
01 - PATCH ALL HOLES PRIOR TO DELIVERING TO PAINTS
1" = 1'-0"



04 DOOR SIDE SECTION SIDE SECTION
01 1" = 1'-0"



05 WINDOW SIDE SECTION SECTION
01 1" = 1'-0"



TITLE:

HURRICANE DIANE

SCENIC UNIT:
WALL E

PLATE TITLE:
FRAMING

DETAILER:
SONJA MEYERS
SGMEYERS@ANDREW.CMU.EDU
(650) 334-5813

DATE:
1/22/2026

SCALE:
AS NOTED

DESIGNER:
KATIE WELKER

PROJECT MANAGER:
ALEX REINARD

JOB LEAD:
SONJA MEYERS

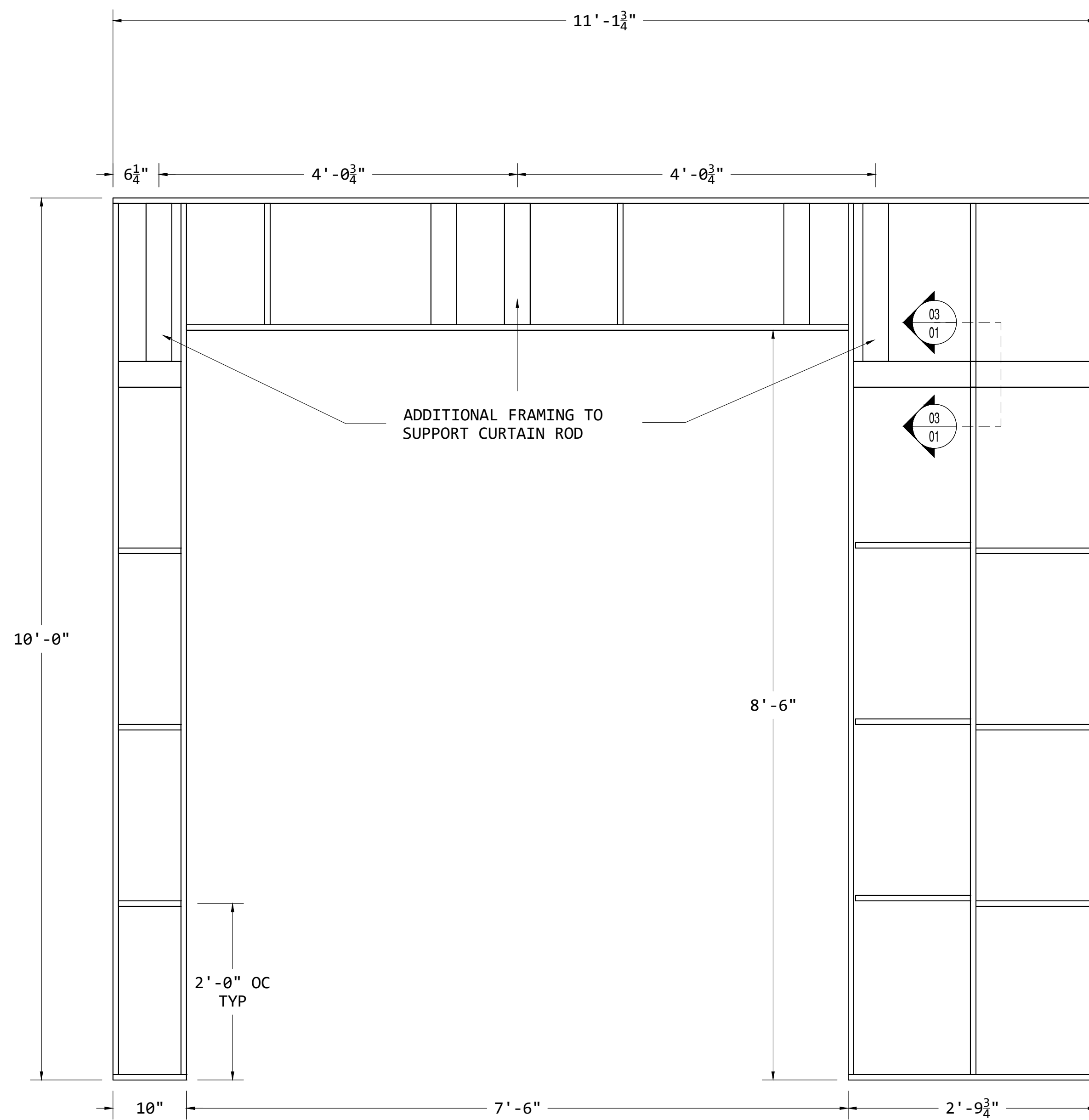
NOTES:

CHECKED BY:

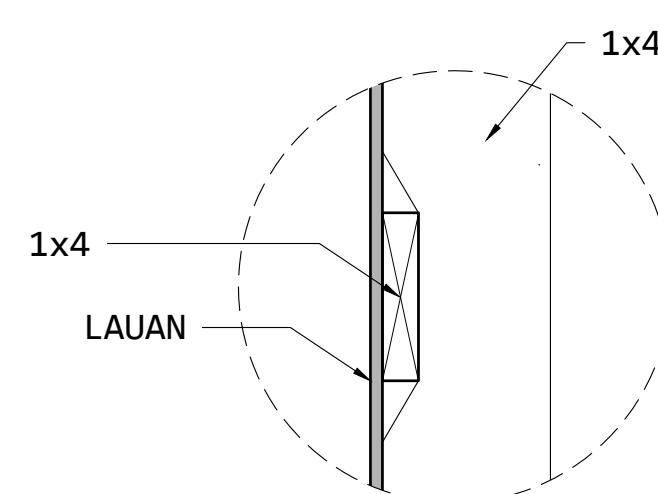
APPROVAL:

DATE: / /

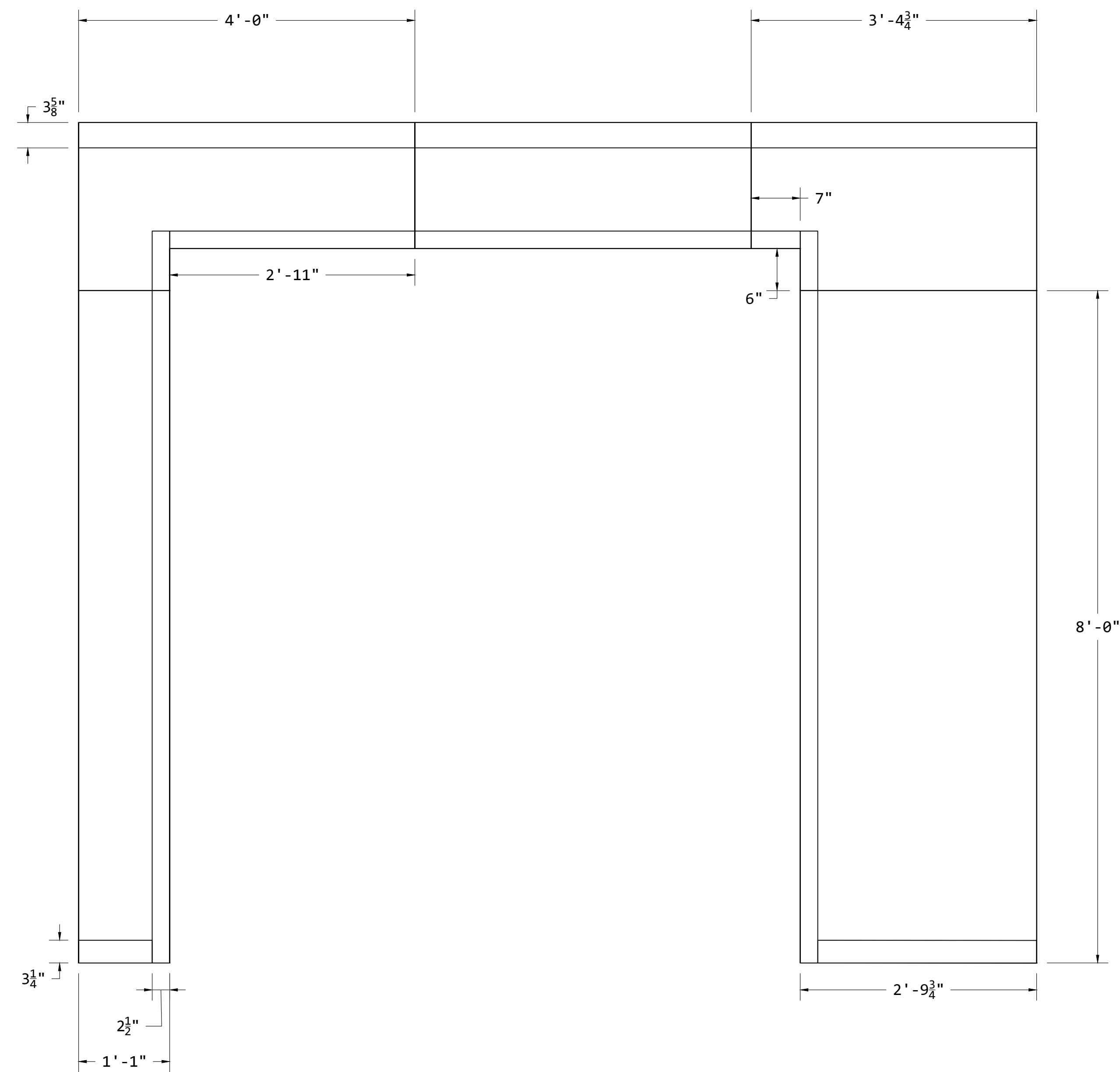
PAGE:



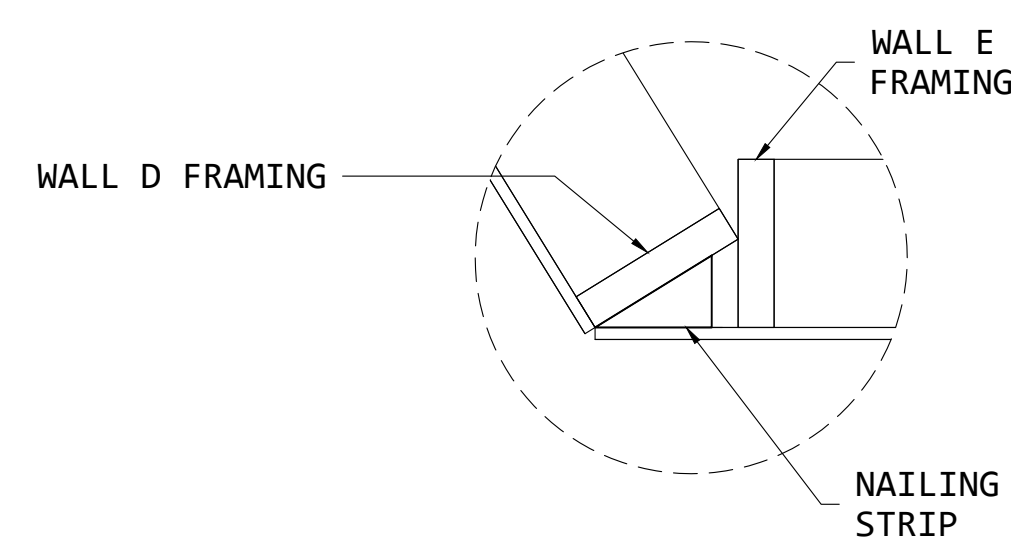
- 01 FRAMING FRONT (LID REMOVED)
- 02 - 1x4 HOLLYWOOD FLAT FRAMING 1" = 1'-0"
- FLIP TOGGLES TO CATCH PLYWOOD SEAMS WHERE APPROPRIATE. NOTCH PERPENDICULAR FRAMING MEMBERS
- NOTE ADDITIONAL FRAMING MEMBERS TO SUPPORT CURTAIN ROD (SEE CALLOUT - WILL BE ATTACHED BY PROPS AT INSTALL)



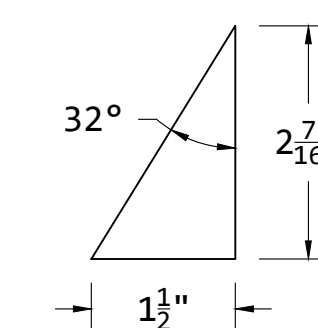
- 03 FTF DETAIL SECTION 3" = 1'-0"
- 02 - NOTCH 1x4 WHERE APPROPRIATE TO ACCOMMODATE ROTATED FRAMING MEMBERS



- 02 SHEETGOODS & MOULDING LAYOUT FRONT 1" = 1'-0"
- 02 - 1/4" LAUAN FACING
- CROWN MOULDING: AML CONCAVE F5008 (ADD 1x3 BEHIND TO SUPPORT)
- CASING: AML F5103
- BASEBOARD: AML F5201



- 04 WALL D CONNECTION TOP 3" = 1'-0"
- 02 - ADD NAILING STRIP AT INSTALL TO FACILITATE WALL D TO WALL E CONNECTION



- 05 NAILING STRIP TOP 6" = 1'-0"
- 02 - NEED 10 LIN. FT.



TITLE:

HURRICANE DIANE

SCENIC UNIT:
WALL E

PLATE TITLE:
BEAMS & WINDOWS

DETAILER:
SONJA MEYERS
SGMEYERS@ANDREW.CMU.EDU
(650) 334-5813

DATE:
1/22/2026

SCALE:
AS NOTED

DESIGNER:
KATIE WELKER

PROJECT MANAGER:
ALEX REINARD

JOB LEAD:
SONJA MEYERS

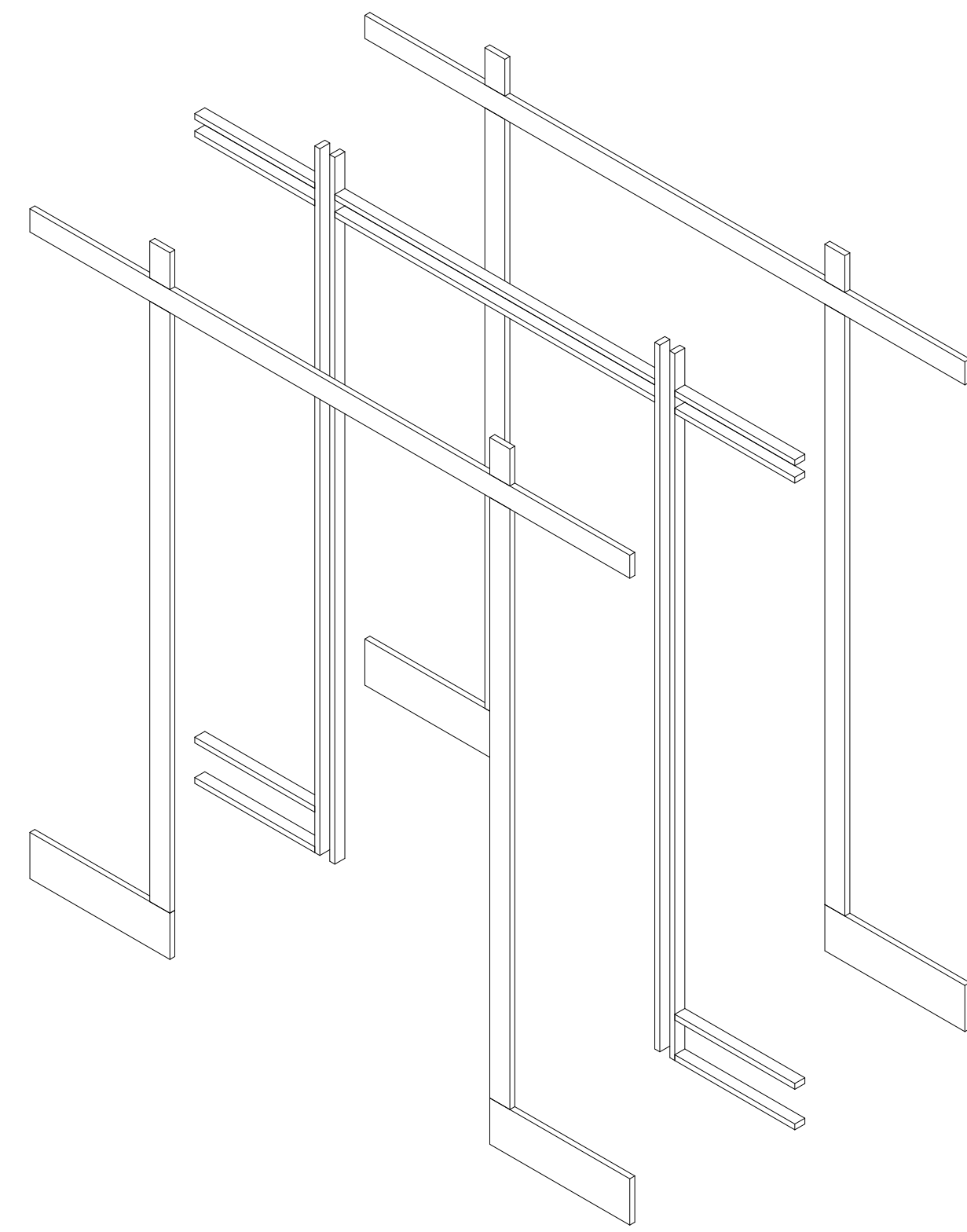
NOTES:

CHECKED BY:

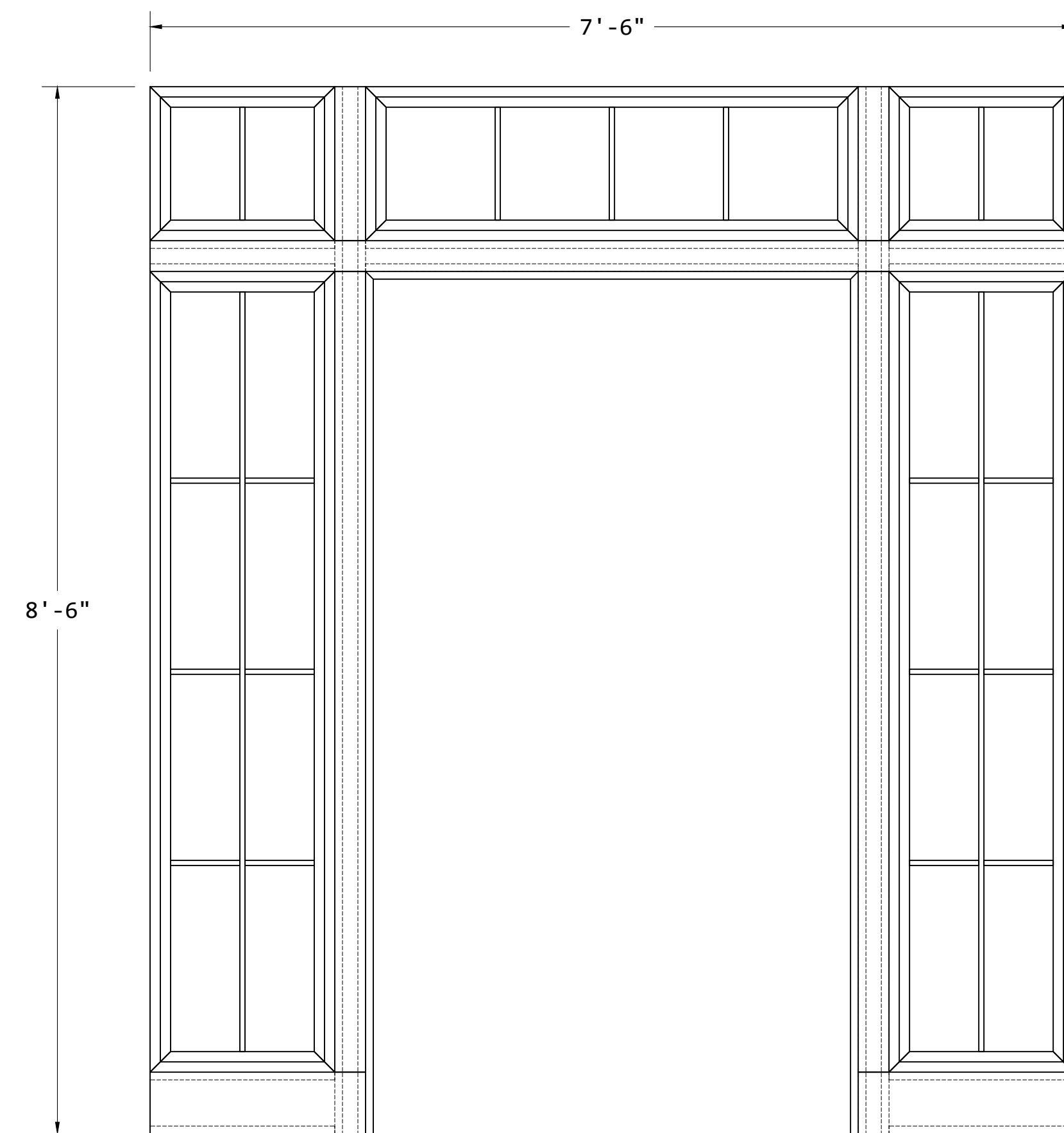
APPROVAL:

DATE: / /

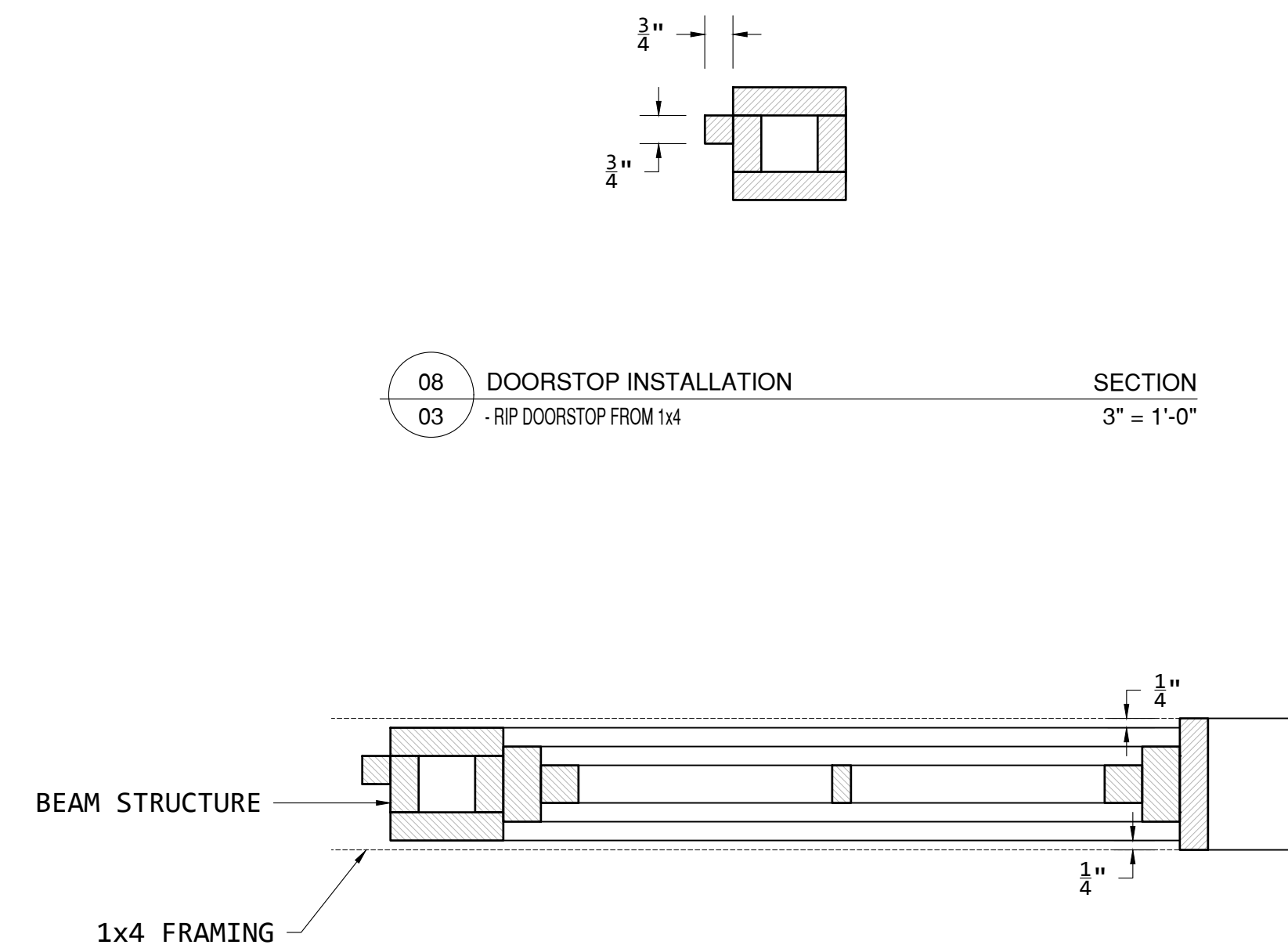
PAGE:



01 WINDOW BEAMS
EXPLODED S.E. ISO
NO SCALE

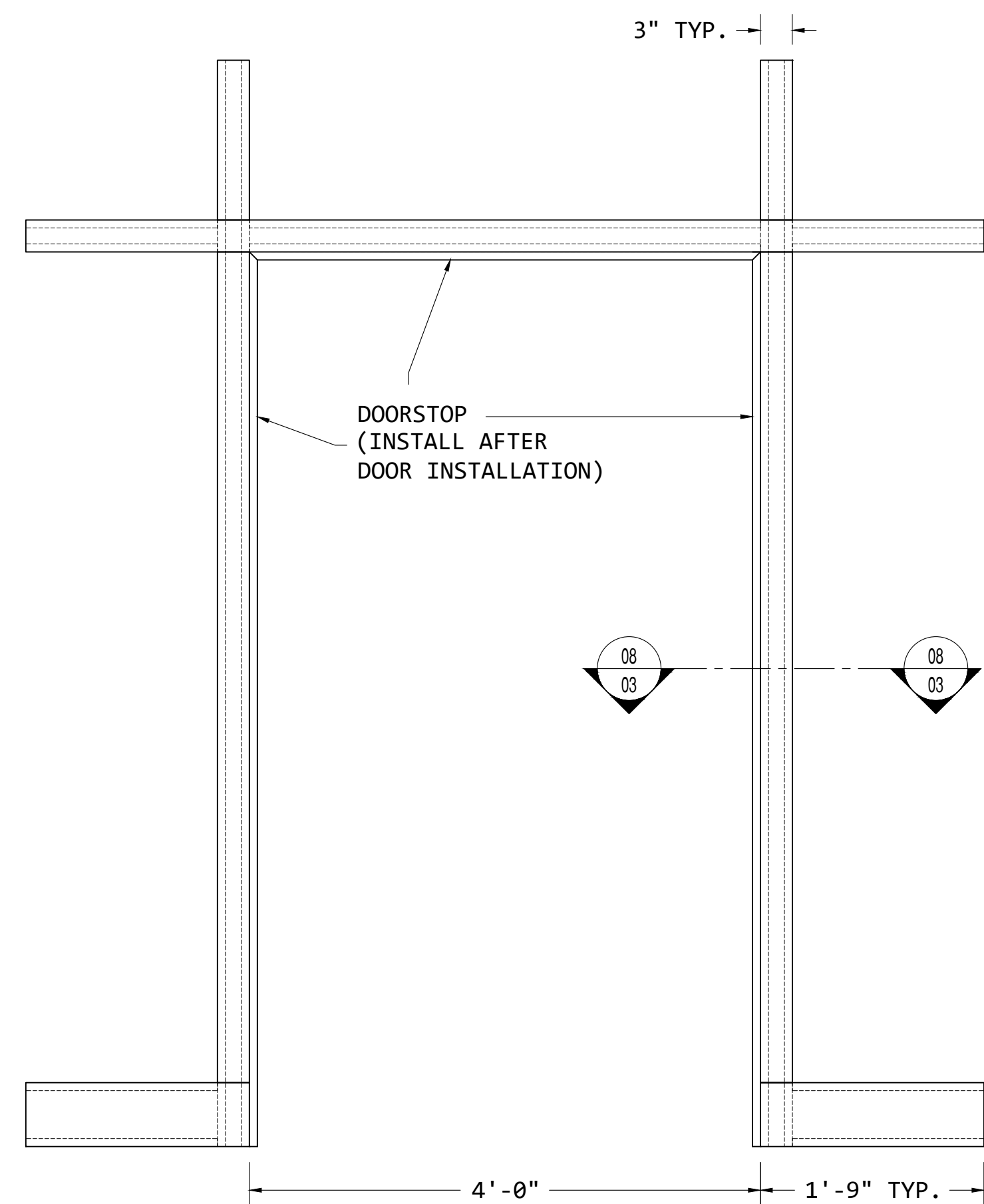


03 WINDOW INSTALLATION
FRONT
1" = 1'-0"

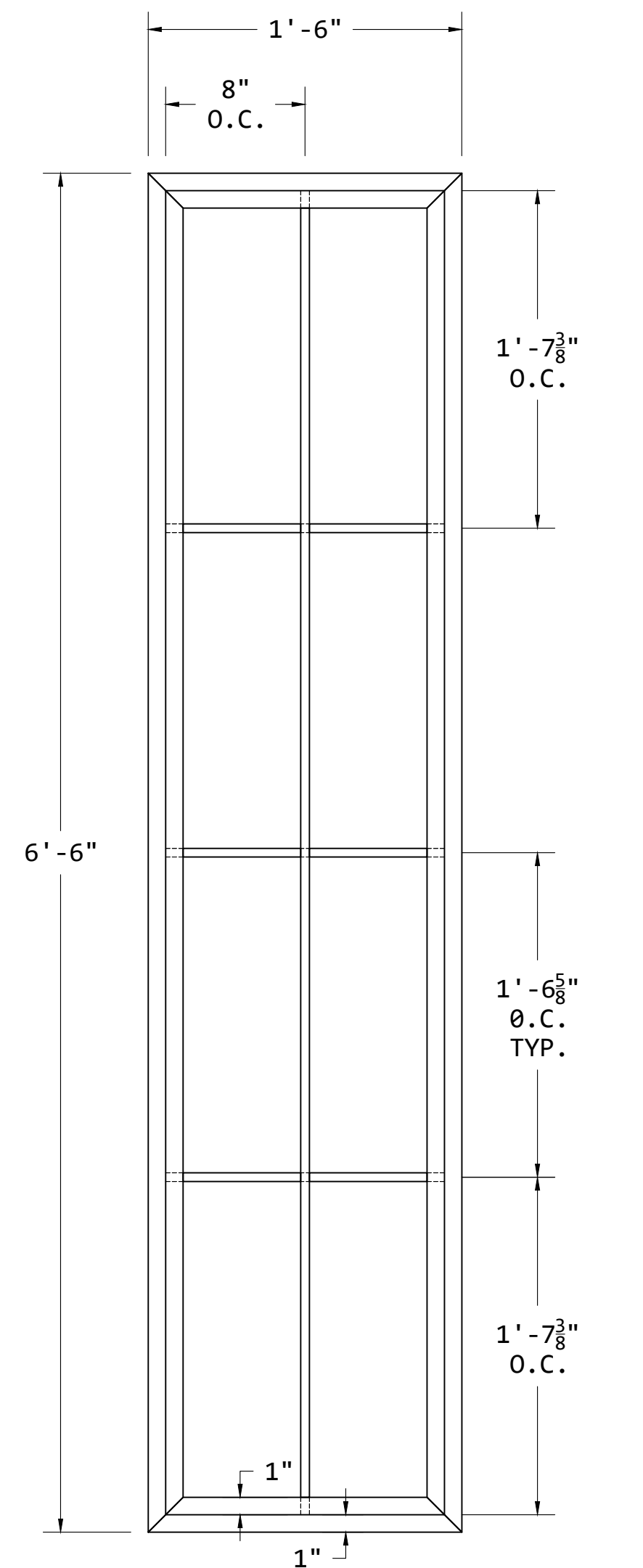
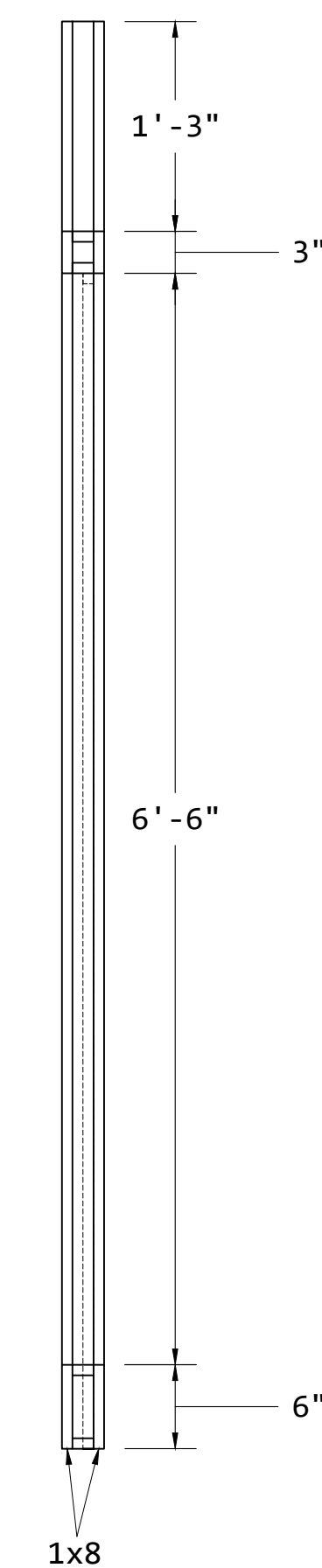


08 DOORSTOP INSTALLATION
03 - RIP DOORSTOP FROM 1x4
SECTION
3" = 1'-0"

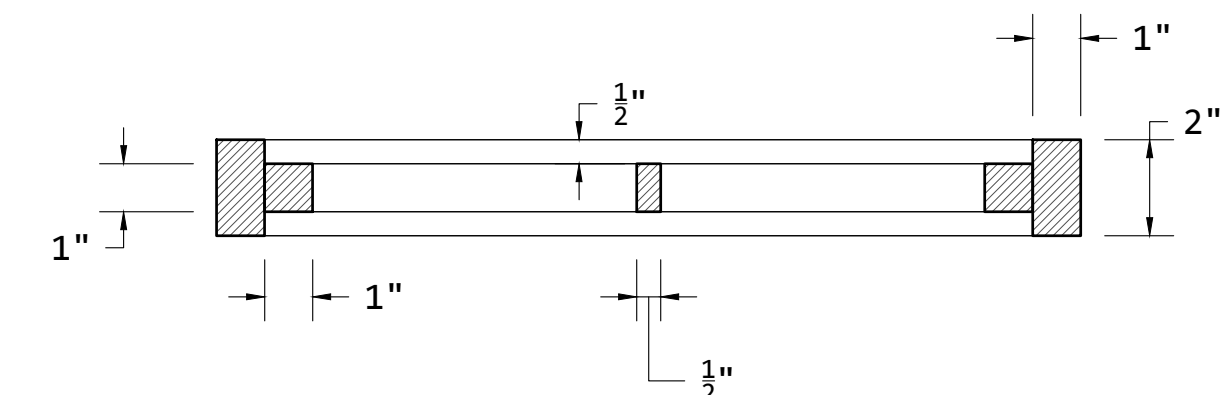
07 BEAM & WINDOW PLACEMENT
03 - BEAM & WINDOW STRUCTURE IS CENTERED ON FRAMING OF FLAT
SECTION
3" = 1'-0"



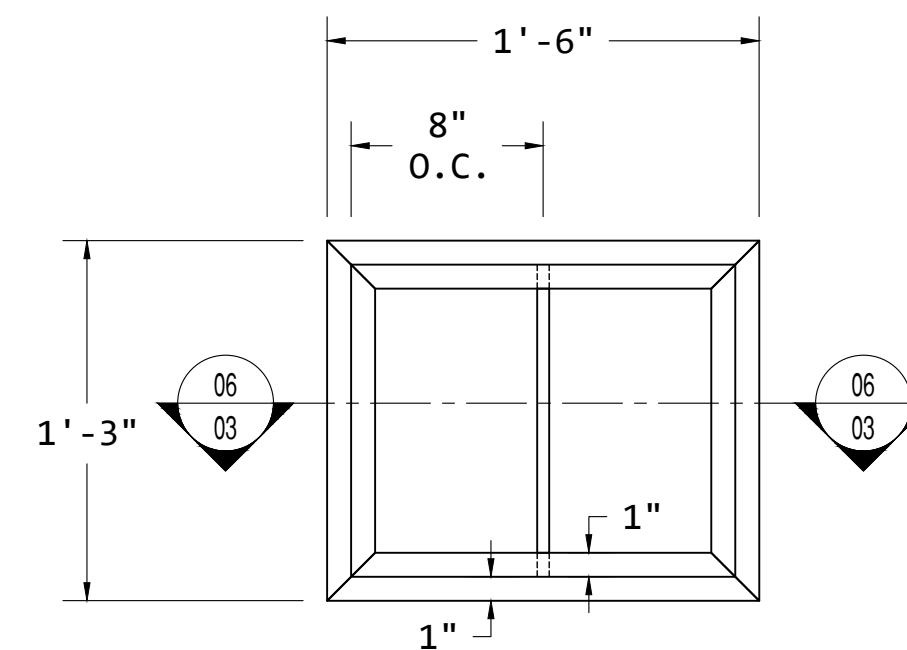
02 WINDOW BEAMS
FRONT, RIGHT
03 - BEAMS ARE RIPPED FROM 1x4, UNLESS NOTED
- SEE 08-03 FOR DOORSTOP PLACEMENT DETAIL
1" = 1'-0"



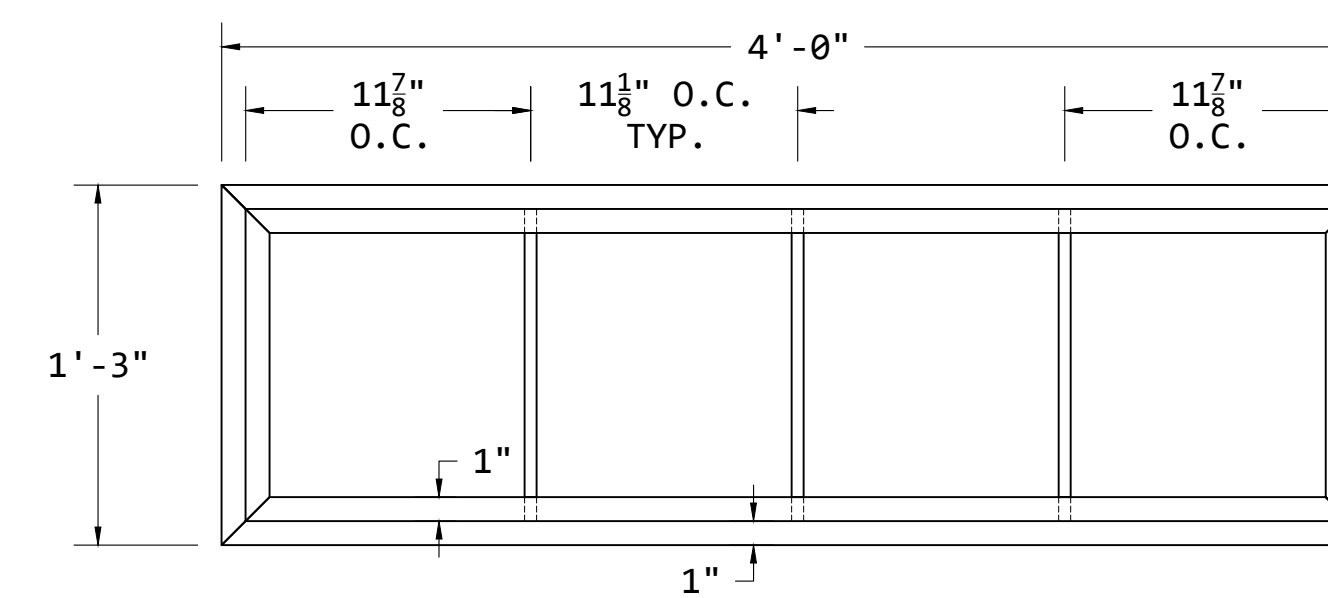
03 BIG WINDOWS
FRONT
03 - BUILD 2
- USE HALF-LAP JOINTS TO CONNECT MULLIONS
1-1/2" = 1'-0"



06 TYP. WINDOW SECTION
03 - DIMS OF COMPONENTS APPLY TO ALL WINDOWS
- RIP MULLIONS FROM 5/4
SECTION
3" = 1'-0"



05 SMALL WINDOWS
FRONT
03 - BUILD 2
- USE HALF-LAP JOINTS TO CONNECT MULLIONS
1-1/2" = 1'-0"



04 MEDIUM WINDOW
FRONT
03 - BUILD 1
- USE HALF-LAP JOINTS TO CONNECT MULLIONS
1-1/2" = 1'-0"



TITLE:

HURRICANE DIANE

SCENIC UNIT:
WALL E

PLATE TITLE:
DOORS

DETAILER:
SONJA MEYERS
SGMEYERS@ANDREW.CMU.EDU
(650) 334-5813

DATE:
1/22/2026

SCALE:
AS NOTED

DESIGNER:
KATIE WELKER

PROJECT MANAGER:
ALEX REINARD

JOB LEAD:
SONJA MEYERS

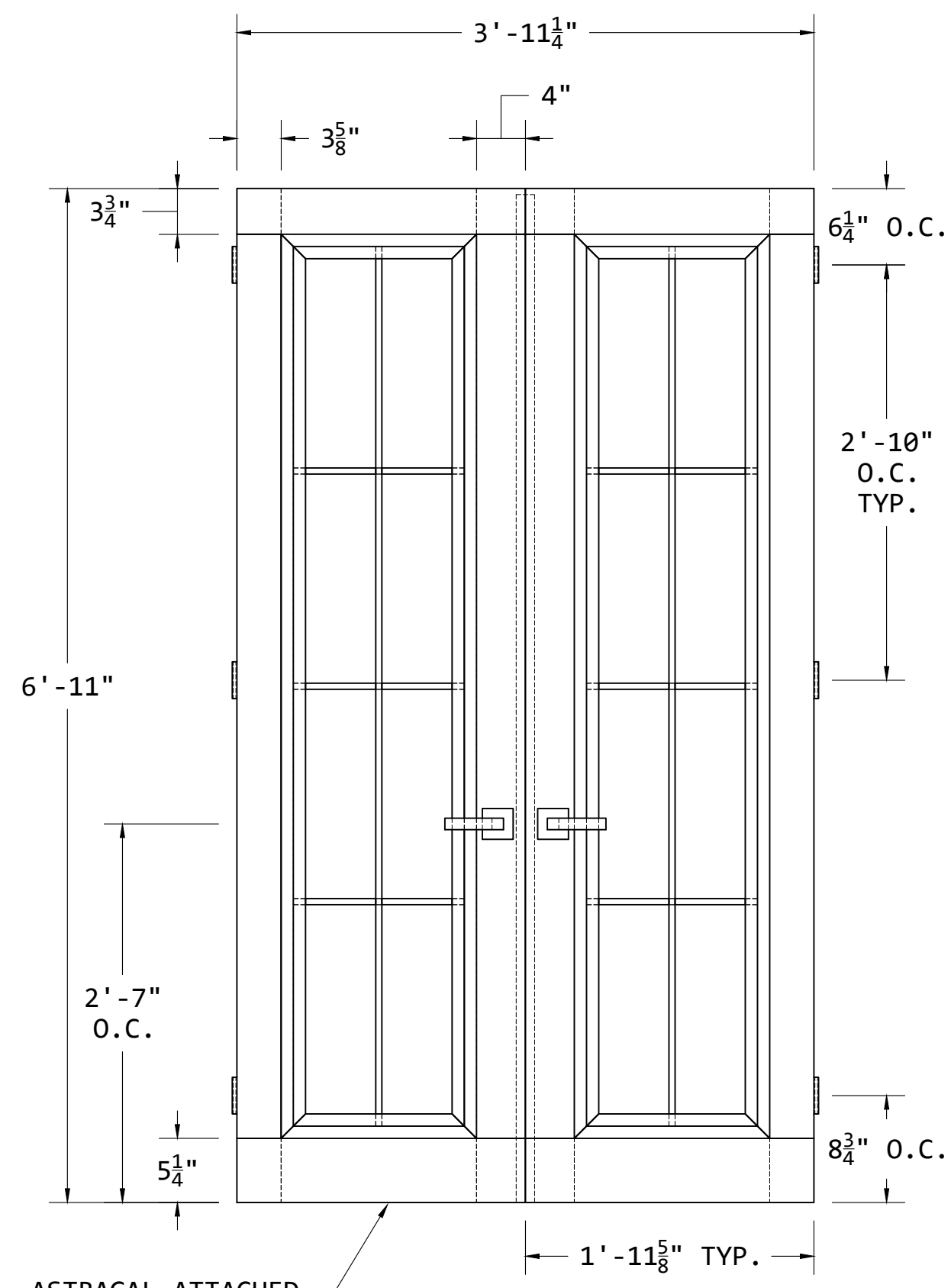
NOTES:

CHECKED BY:

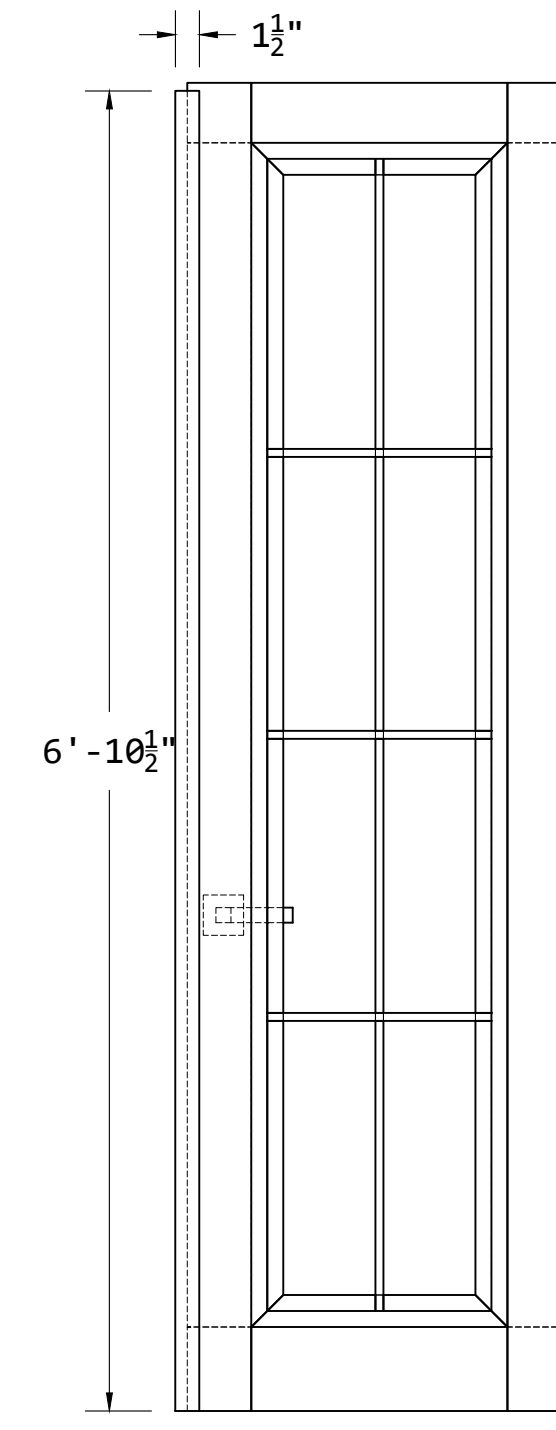
APPROVAL:

DATE: / /

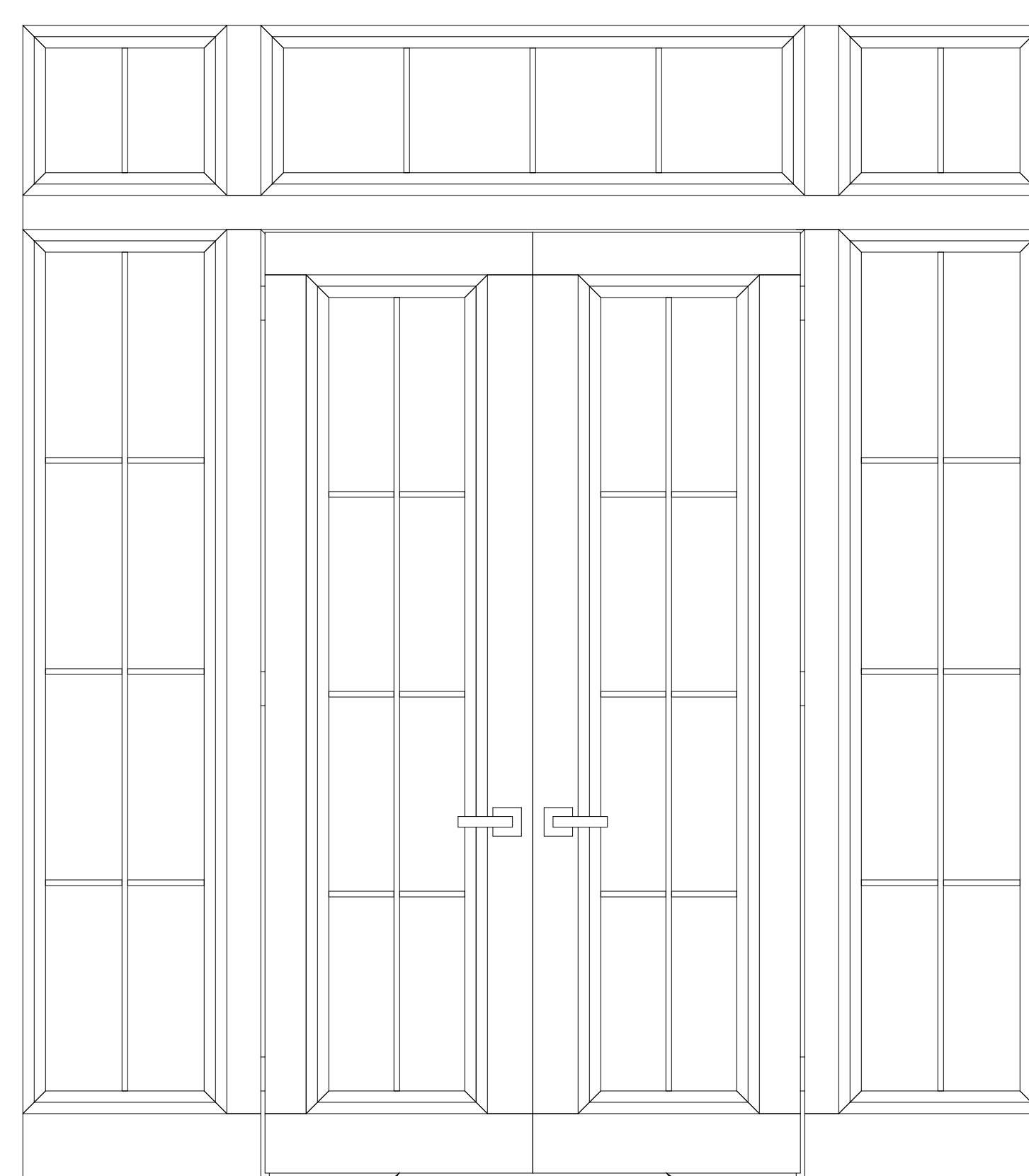
PAGE:



01 DOOR FRONT
04 DOORS ARE R&R
- SEE 02-04 FOR DETAIL OF DOOR LAYERS
1" = 1'-0"

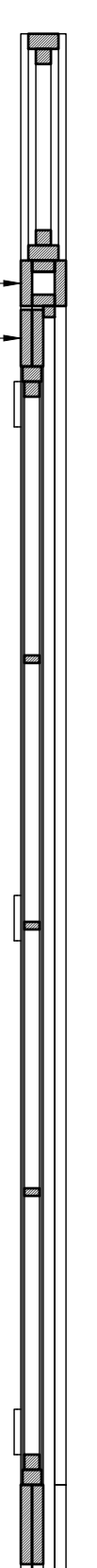


06 LEFT DOOR REAR
05 - RIP ASTRAGAL FROM 1X4
- INSTALL ASTRAGAL FLUSH WITH BOTTOM OF DOOR
1" = 1'-0"

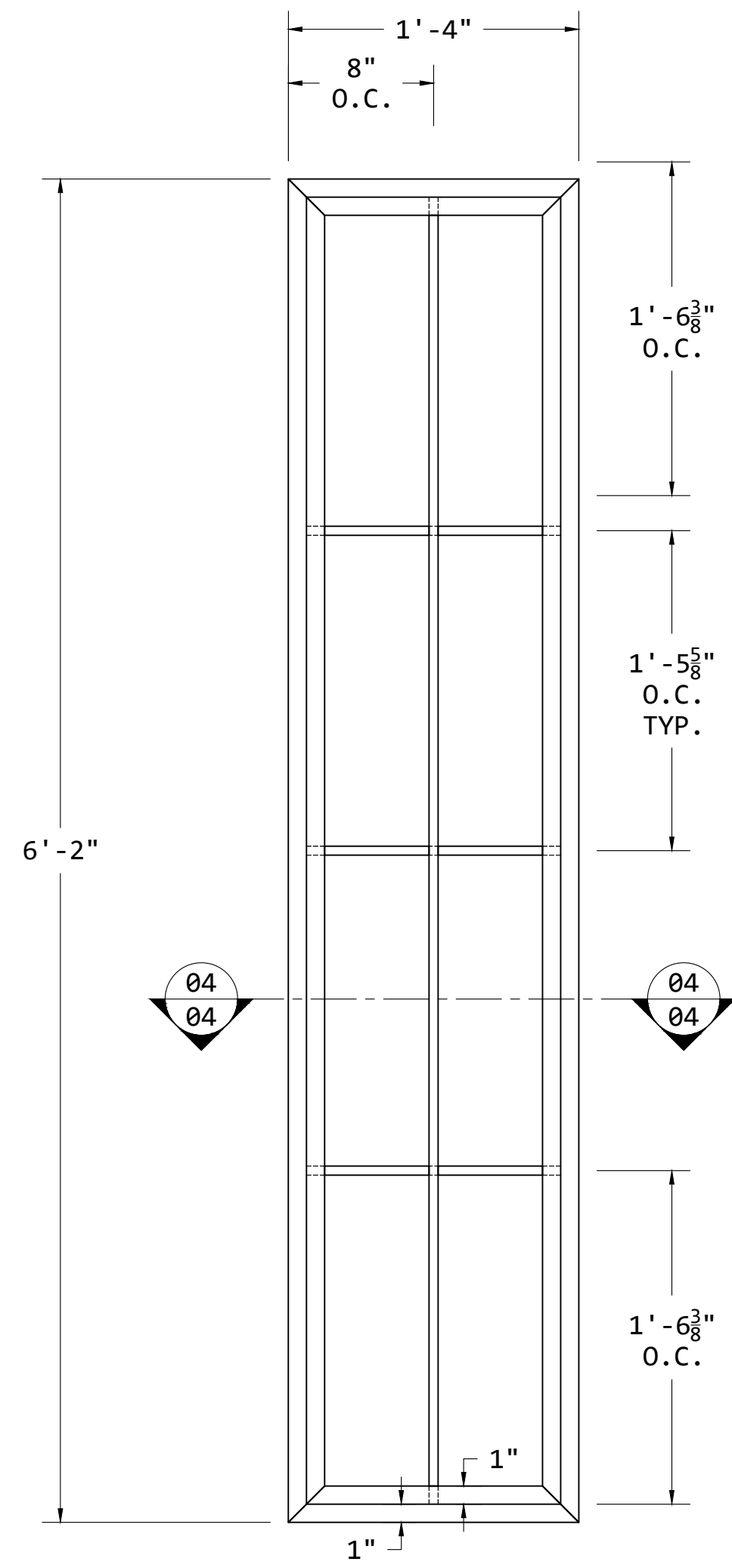


DOOR WITH DUMMY KNOBS
DOOR WITH LOCKSET

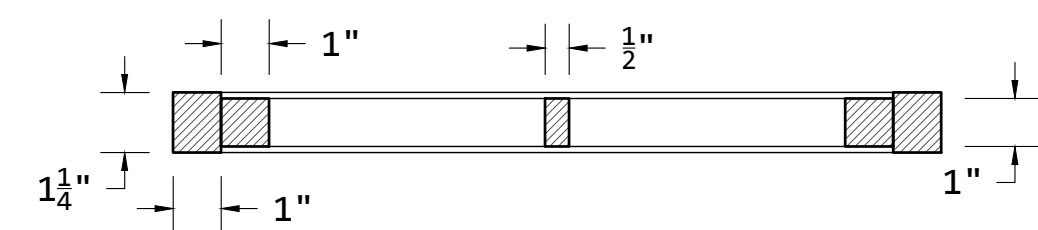
FACE OF BEAMS
FACE OF DOOR



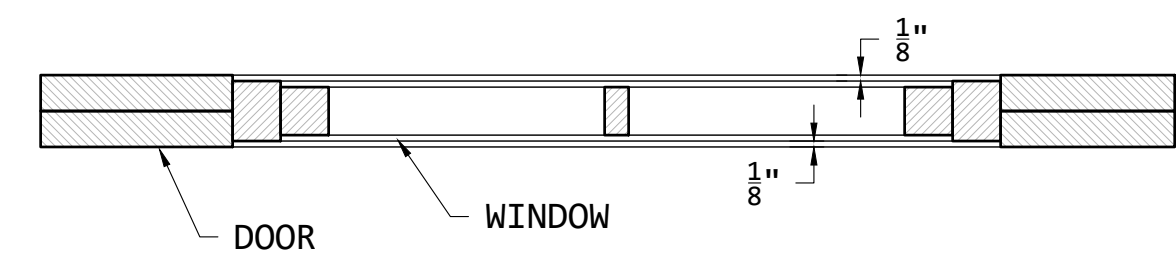
07 DOOR INSTALLATION FRONT, SECTION
04 - LOCKSET INSTALLED ON RIGHT HAND DOOR
- DUMMY KNOBS INSTALLED ON LEFT HAND DOOR
- DOOR IS INSTALLED FLUSH WITH FRONT OF BEAMS
1" = 1'-0"



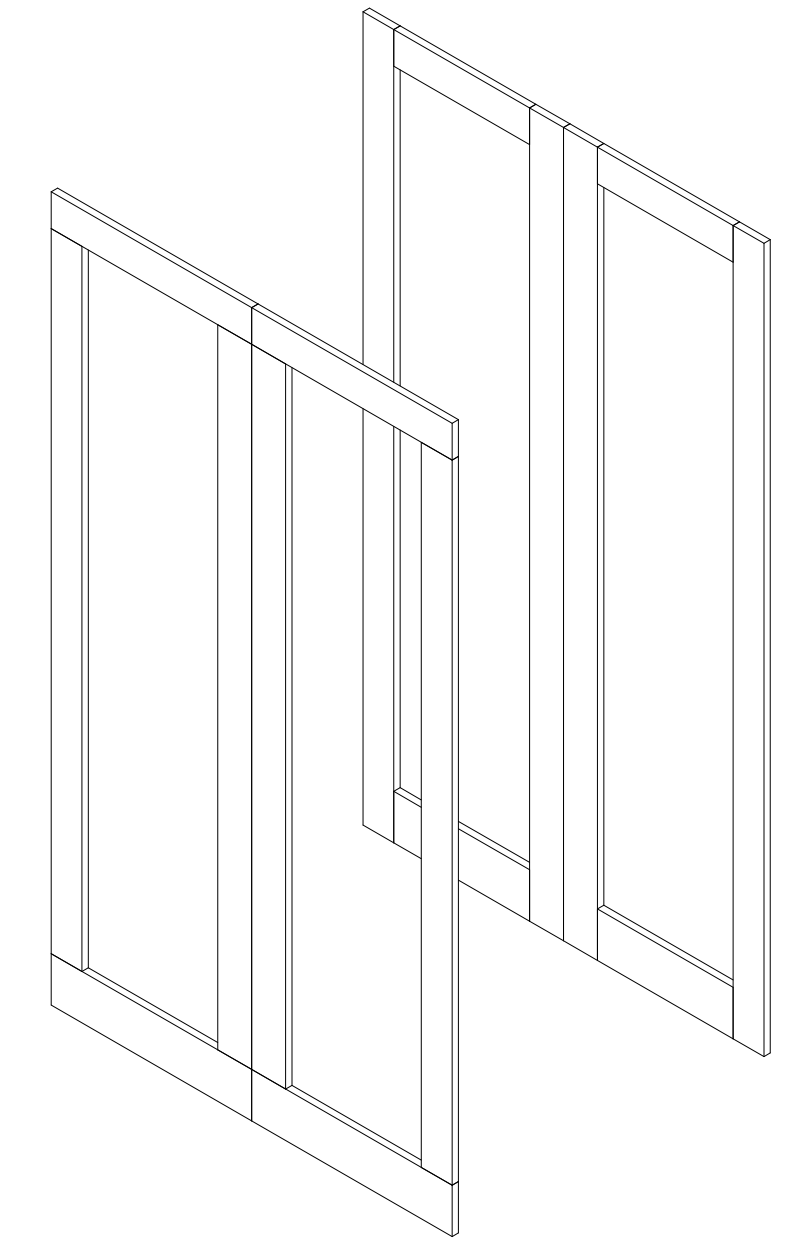
03 WINDOW FRONT
04 - BUILD 2
- USE HALF-LAP JOINTS TO CONNECT MULLIONS
1-1/2" = 1'-0"



04 WINDOW SECTION
04 - RIP MULLIONS FROM 5/4
3" = 1'-0"



05 WINDOW INSTALLATION SECTION
04 - WINDOW IS INSTALLED CENTERED ON DOOR
3" = 1'-0"



02 DOOR ASSEMBLY EXPLODED S.E. ISO
04 - 1X6
- NOTE ALTERNATING SEAM LOCATIONS ON EACH LAYER OF THE DOOR
NO SCALE